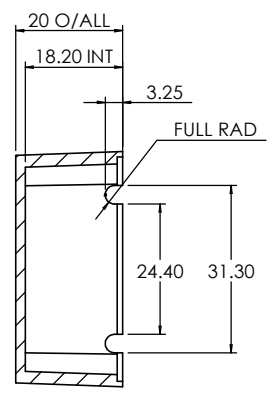
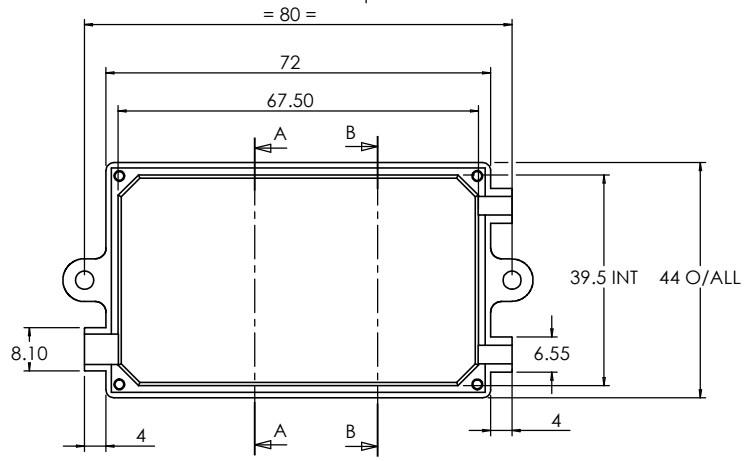
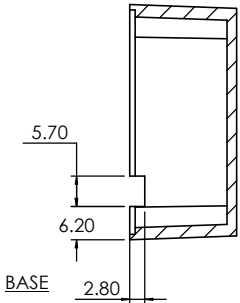


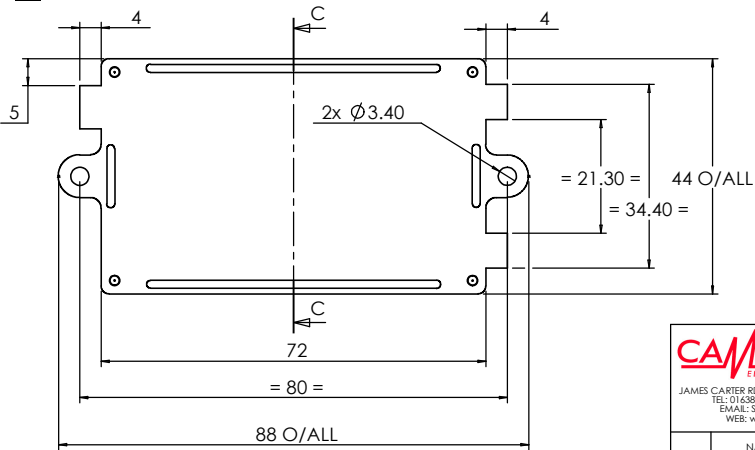
OVERALL ASSEMBLY DIMENSIONS:
 EXTERNAL - 88 x 44 x 21.75
 INTERNAL - 67.5 x 39.5 x 18.2

SECTION A-A

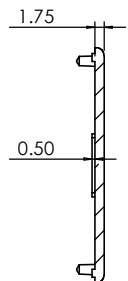


SECTION B-B

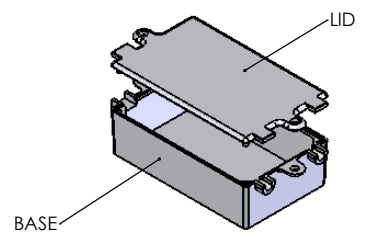
LID



SECTION C-C



ISO VIEW
1:2



CAMDENBOSS
 ELECTRONICS & ENCLOSURES
 JAMES CARTER RD, MILDENHALL, SUFFOLK, IP28 7DE
 TEL: 01438 716101 FAX: 01438 716554
 EMAIL: Sales@CamdenBoss.com
 WEB: www.CamdenBoss.com

UNLESS OTHERWISE SPECIFIED:
 DIMENSIONS ARE IN MILLIMETERS
 FINISH:
FINE SPARK

DO NOT SCALE DRAWING		REVISION: 0	
TITLE: ASSEMBLY DRG FOR 400-015			
MATERIAL: ABS		DWG NO. 400-015	A4
PROJECTION:		SCALE: 1:1	SHEET 1 OF 1

NAME	SIGNED	DATE
DRAWN: SUBKHANKULOVA	LS	05/06/09
CHK'D: STUART HARDINGE	SJH	05/06/09