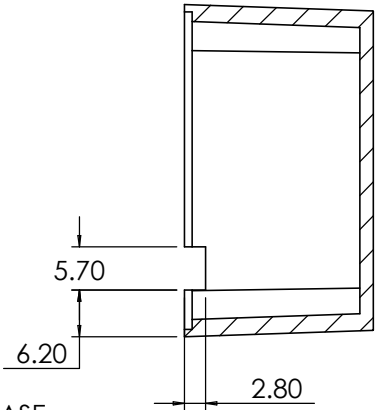


OVERALL ASSEMBLY DIMENSIONS:

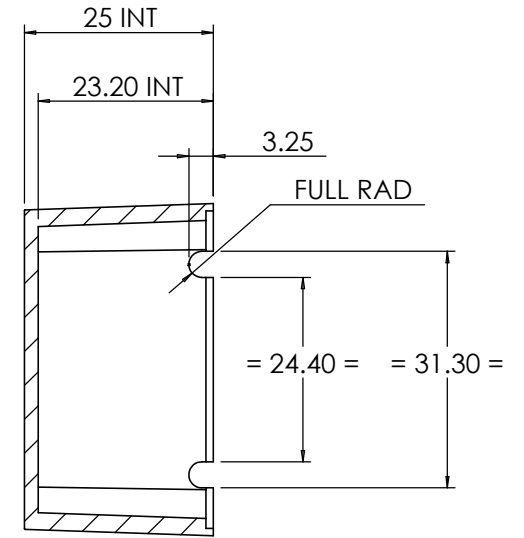
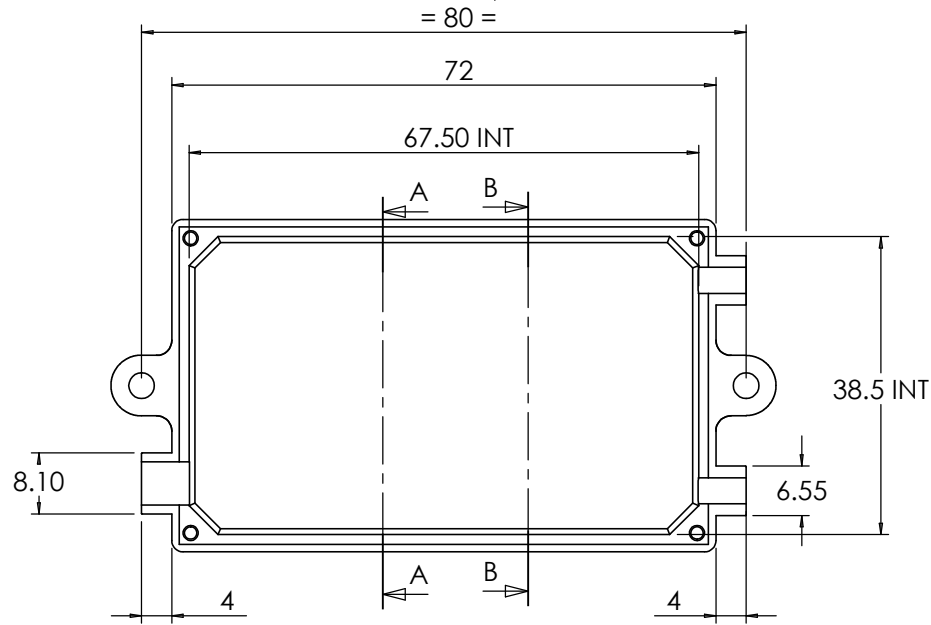
EXTERNAL - 88 x 44 x 26.75

INTERNAL - 67.5 x 39.5 x 23.20

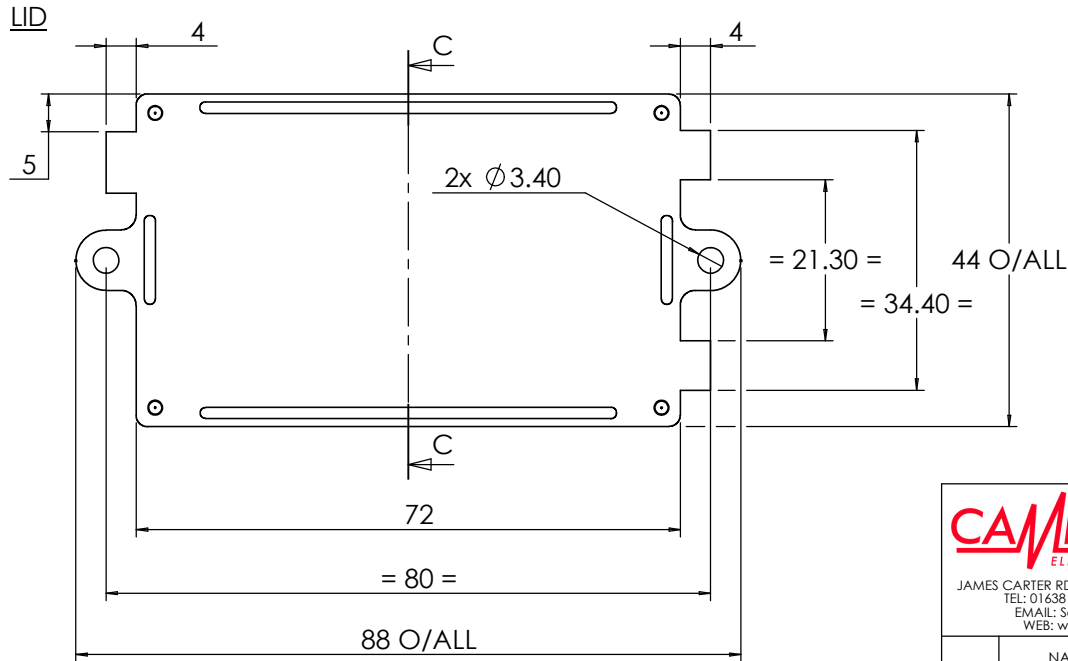
SECTION A-A



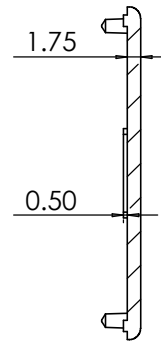
BASE



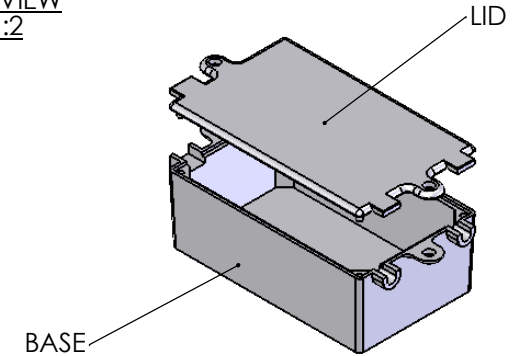
SECTION B-B



SECTION C-C



ISO VIEW
1:2



CAMDENBOSS
ELECTRONICS & ENCLOSURES

JAMES CARTER RD, MILDENHALL, SUFFOLK, IP28 7DE
TEL: 01638 716101 FAX: 01638 716554
EMAIL: Sales@CamdenBoss.com
WEB: www.CamdenBoss.com

UNLESS OTHERWISE SPECIFIED:
DIMENSIONS ARE IN MILLIMETERS

DO NOT SCALE DRAWING

REVISION. 0

FINISH.
FINE SPARK

TITLE:

ASSEMBLY DRG FOR 400-017

NAME	SIGNED	DATE
SUBKHANKULOVA	LS	05/06/09

MATERIAL.
ABS

DWG NO.

400-017

A4

CHK'D	STUART HARDINGE	SJH	05/06/09
-------	-----------------	-----	----------

PROJECTION.

SCALE. 1 : 1

SHEET 1 OF 1