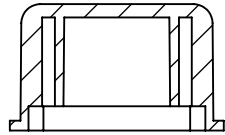
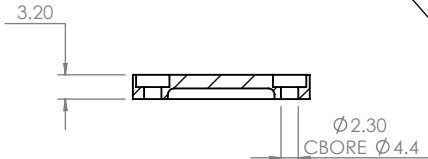


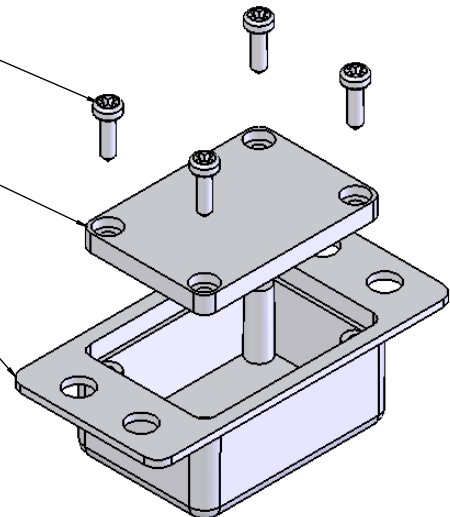
OVERALL ASSEMBLY DIMENSIONS:  
 EXTERNAL - 35.70 (56) x 25.5 (28.3) x 16.7  
 INTERNAL - 32 x 21.8 x 11.75



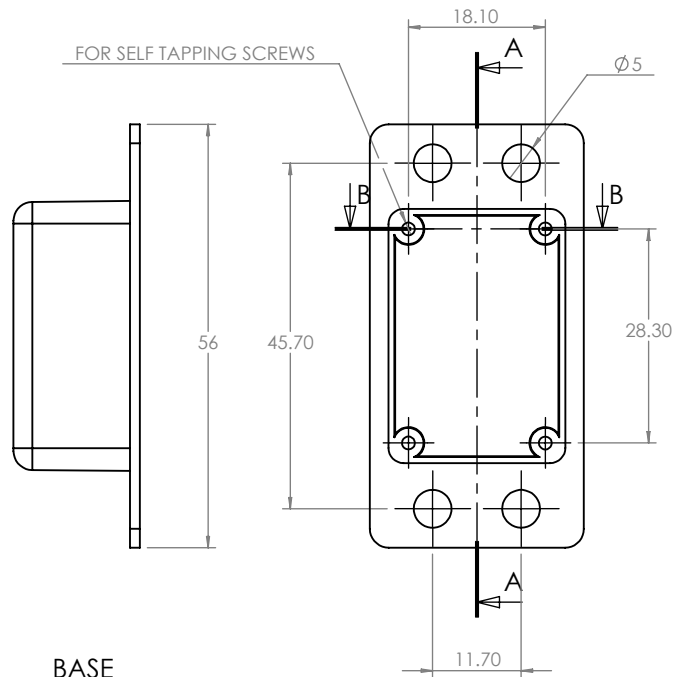
SECTION B-B



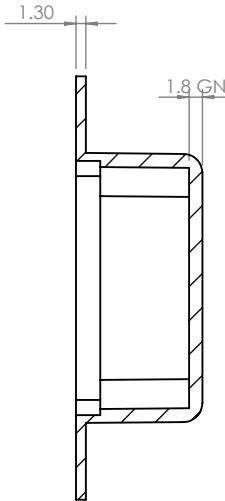
SECTION C-C



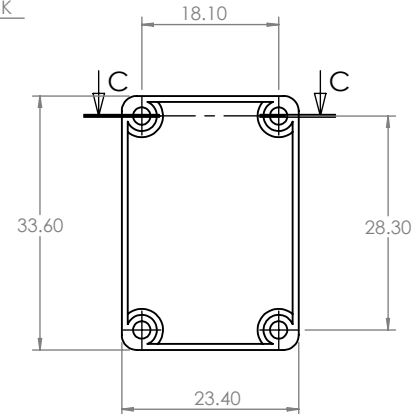
ISO VIEW



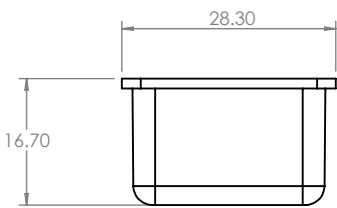
BASE



SECTION A-A



LID



		UNLESS OTHERWISE SPECIFIED: DIMENSIONS ARE IN MILLIMETERS		DO NOT SCALE DRAWING	REVISION. 0
		FINISH: <b>LIGHT SPARK</b>		TITLE: <b>ASSEMBLY DRG FOR 505</b>	
JAMES CARTER RD, MILDENHALL, SUFFOLK. IP28 7DE TEL: 01 638 716101 FAX: 01 638 716554 EMAIL: SALES@CAMDENBOSS.COM WEB: www.CAMDENBOSS.COM		MATERIAL: <b>ABS</b>	DWG NO. <b>505</b>	<b>A4</b>	
DRAWN S.HARDINGE	SIGNED SJH	DATE 22/06/06	PROJECTION. 	SCALE: 1 : 1	SHEET 1 OF 1