

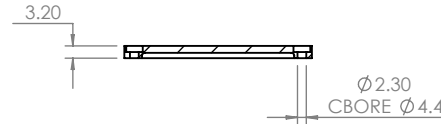
OVERALL ASSEMBLY DIMENSIONS:

EXTERNAL - 75.7 (96) x 51.7 (54.5) x 28.5

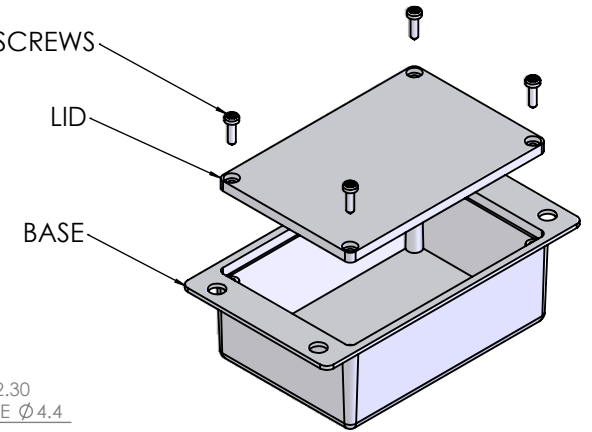
INTERNAL - 72 x 48 x 23.5



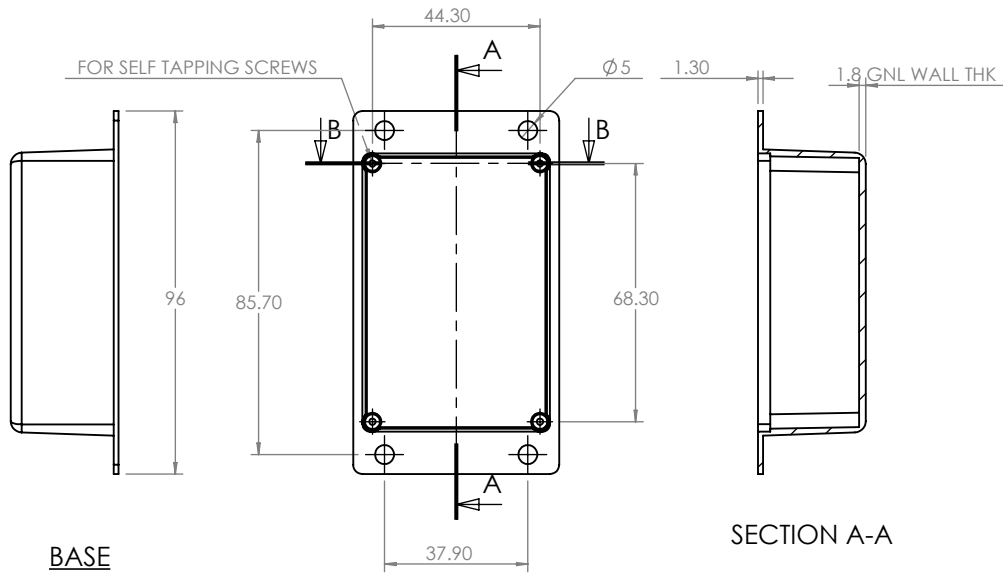
SECTION B-B



SECTION C-C

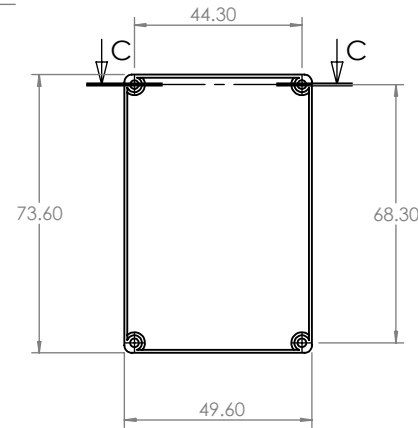


ISO VIEW

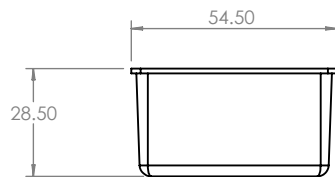


BASE

SECTION A-A



LID



CAMDENBOSS
ELECTRONICS & ENCLOSURES

JAMES CARTER RD, MILDENHALL, SUFFOLK, IP28 7DE
TEL: 01 638 716101 FAX: 01 638 716554
EMAIL: SALES@CAMDENBOSS.COM
WEB: WWW.CAMDENBOSS.COM

UNLESS OTHERWISE SPECIFIED:
DIMENSIONS ARE IN MILLIMETERS

DO NOT SCALE DRAWING

REVISION. A

FINISH.
LIGHT SPARK

TITLE:

ASSEMBLY DRG FOR 500 SERIES

	NAME	SIGNED	DATE	MATERIAL.
DRAWN	S.HARDINGE	SJH	21/06/06	ABS

MATERIAL.
ABS

DWG NO.

RX510A

A4

CHKD - - - PROJECTION.

SCALE: 1 : 2

SHEET 1 OF 1