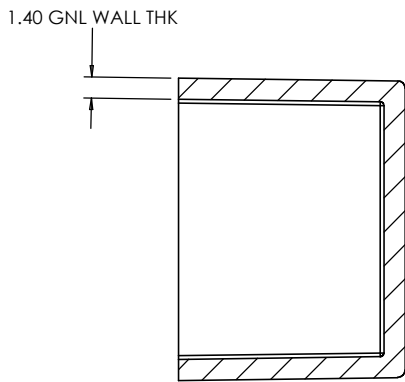


ISO VIEW
1:1



SECTION A-A

<p>JAMES CARTER RD, MILDENHALL, SUFFOLK. IP28 7DE TEL: 01638 716101 FAX: 01638 716554 EMAIL: Sales@CamdenBoss.com WEB: www.CamdenBoss.com</p>				UNLESS OTHERWISE SPECIFIED: DIMENSIONS ARE IN MILLIMETERS		DO NOT SCALE DRAWING		REVISION. O	
				FINISH. LIGHT SPARK		TITLE: PART DRG FOR 101 POTTING BOX			
DRAWN S.HARDINGE		SIGNED SJH	DATE 27/02/08	MATERIAL. ABS		DWG NO. 101		A4	
CHK'D -		-	-	PROJECTION.		SCALE. 2 : 1		SHEET 1 OF 1	