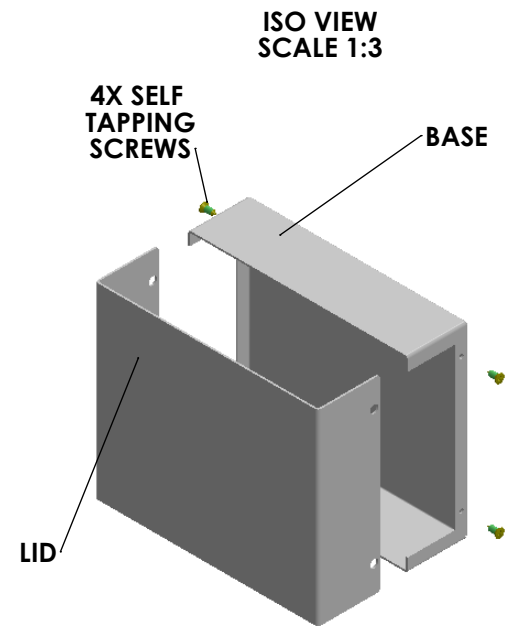


SECTION B-B



CAMDENBOSS
ELECTRONICS & ENCLOSURES

JAMES CARTER RD, MILDENHALL, SUFFOLK, IP28 7DE
TEL: 01 638 716101 FAX: 01 638 716554
EMAIL: SALES@BOSS-ENCLOSURES.CO.UK
WEB: WWW.BOSS-ENCLOSURES.CO.UK

UNLESS OTHERWISE SPECIFIED:
DIMENSIONS ARE IN MILLIMETERS

FINISH:
POLYESTER PAINT

MATERIAL:
1mm THK ALUMINIUM

PROJECTION.

DO NOT SCALE DRAWING

REVISION. O

TITLE:

GENERAL ASSEMBLY DRG
FOR U-BOX SERIES

DWG NO.

CUABOX006

A4

	NAME	SIGNED	DATE
DRAWN	LUKASZ DROBKA	LD	08/07/11
CHK'D	MATTHEW WALLACE	MW	08/07/11

	NAME	SIGNED	DATE
DRAWN	LUKASZ DROBKA	LD	08/07/11
CHK'D	MATTHEW WALLACE	MW	08/07/11

SCALE: 1 : 2

SHEET 1 OF 1