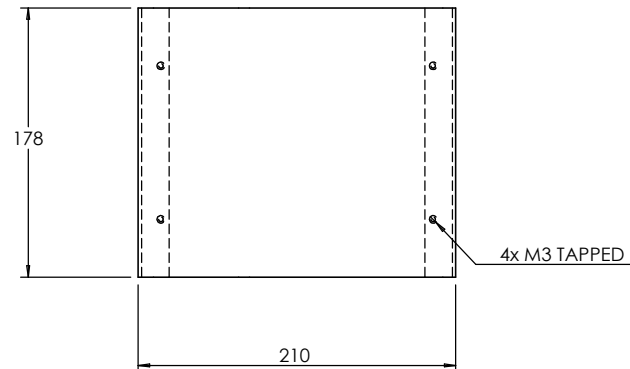
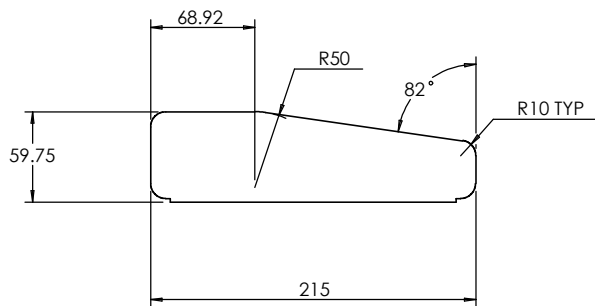
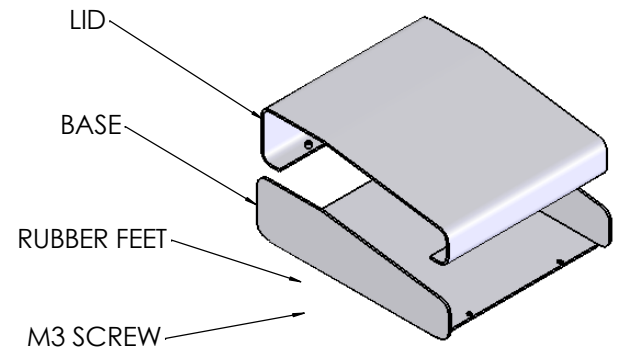
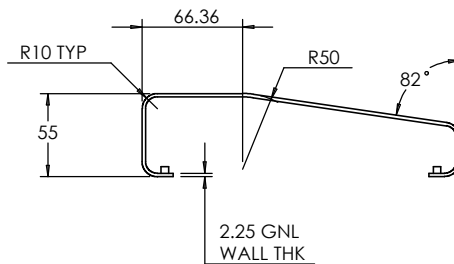


BASE



ISO VIEW
1:6

LID



 JAMES CARTER RD, MILDENHALL, SUFFOLK. IP28 7DE TEL: 01638 716101 FAX: 01638 716554 EMAIL: Sales@CamdenBoss.com WEB: www.CamdenBoss.com				UNLESS OTHERWISE SPECIFIED: DIMENSIONS ARE IN MILLIMETERS		DO NOT SCALE DRAWING		REVISION. O	
				FINISH. TEXTURED PAINT		TITLE: ASSEMBLY DRG FOR 2600			
DRAWN S.HARDINGE		SIGNED SJH	DATE 01/03/07	MATERIAL. ALUMINIUM		DWG NO. 2601		A4	
CHK'D -		-	-	PROJECTION.		SCALE. 1 : 5		SHEET 1 OF 1	