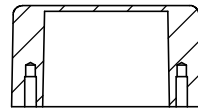
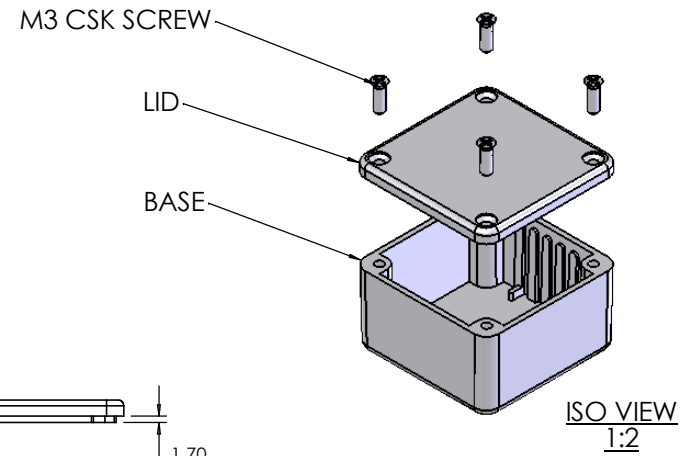


OVERALL ASSEMBLY DIMENSIONS:

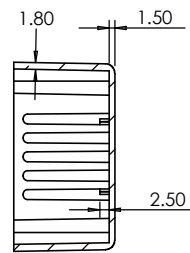
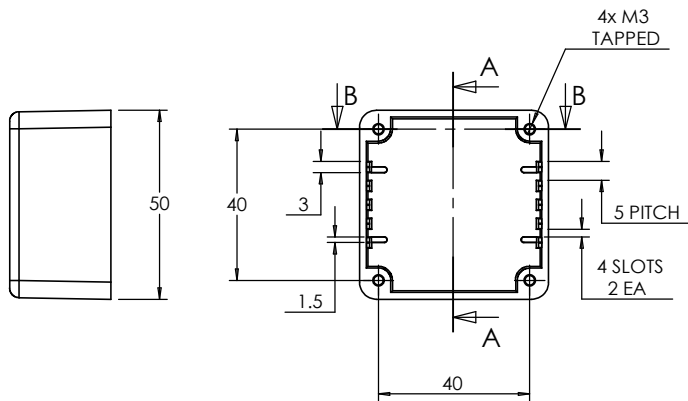
EXTERNAL - 50 x 50 x 31
 INTERNAL - 46.4 x 46.4 x 26.8



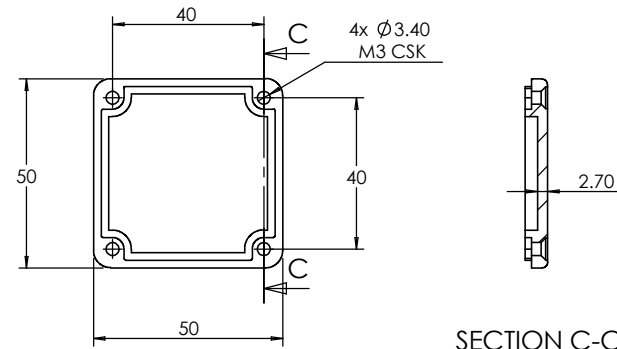
SECTION B-B



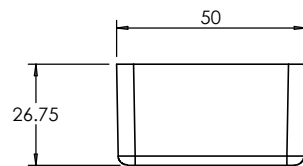
ISO VIEW
1:2



SECTION A-A



SECTION C-C



LID

				UNLESS OTHERWISE SPECIFIED: DIMENSIONS ARE IN MILLIMETERS		DO NOT SCALE DRAWING		REVISION. 0	
				FINISH. SMOOTH		TITLE: ASSEMBLY DRG FOR 5001/11			
JAMES CARTER RD, MILDENHALL, SUFFOLK, IP28 7DE TEL: 01438 716101 FAX: 01438 716554 EMAIL: Sales@CamdenBoss.com WEB: www.CamdenBoss.com				MATERIAL. DIE-CAST ALUMINIUM		DWG NO.		5001,11	
DRAWN	S.HARDINGE	SJH	07/12/05	PROJECTION.		SCALE: 1:2		SHEET 1 OF 1	
CHK'D	-	-	-					A4	