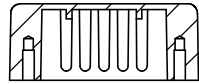


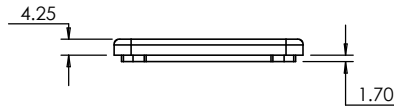
OVERALL ASSEMBLY DIMENSIONS:

EXTERNAL - 101 x 50 x 24.5

INTERNAL - 97.4 x 46.4 x 20.3



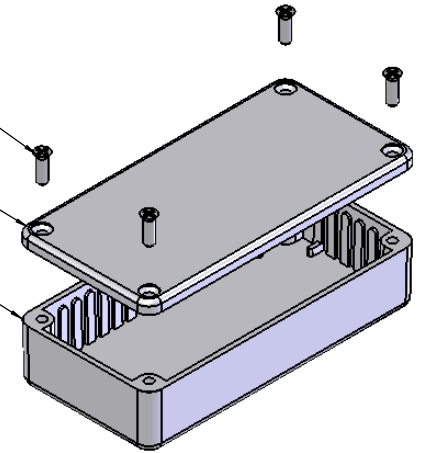
SECTION B-B



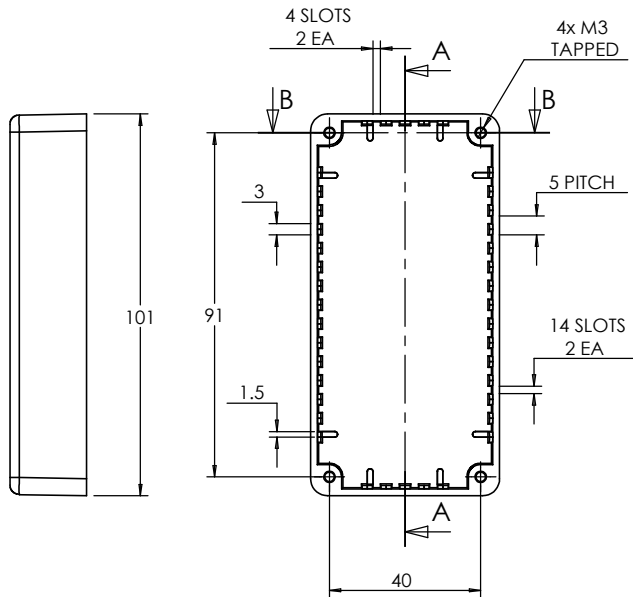
M3 CSK SCREW

LID

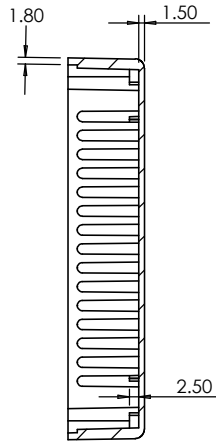
BASE



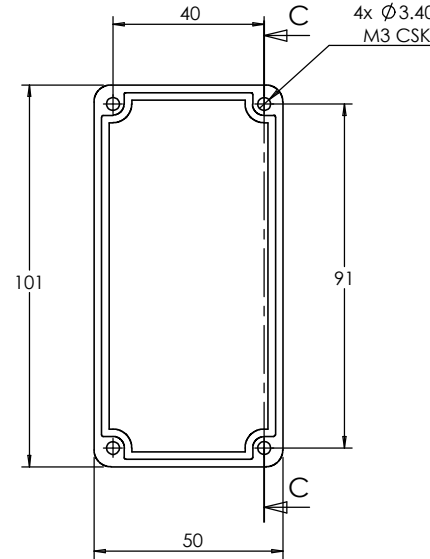
ISO VIEW



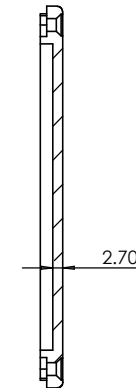
BASE



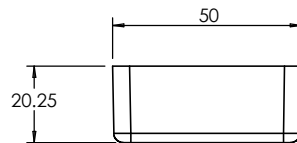
SECTION A-A



SECTION C-C



LID



		UNLESS OTHERWISE SPECIFIED: DIMENSIONS ARE IN MILLIMETERS		DO NOT SCALE DRAWING	REVISION: 0
		FINISH: SMOOTH		TITLE: ASSEMBLY DRG FOR 5002/12	
JAMES CARTER RD, MILDENHALL, SUFFOLK, IP28 7DE TEL: 01438 716101 FAX: 01438 716554 EMAIL: Sales@CamdenBoss.com WEB: www.CamdenBoss.com		MATERIAL: DIE-CAST ALUMINIUM	DWG NO.	5002,12	A4
DRAWN	S.HARDINGE	SIGNED	SJH	DATE	06/12/05
CHK'D	-	-	-	PROJECTION.	
			SCALE: 1 : 2	SHEET 1 OF 1	