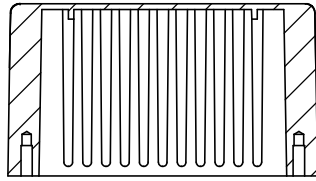


OVERALL ASSEMBLY DIMENSIONS:

EXTERNAL  $\pm 0.2$  - 152 x 82 x 49.75

INTERNAL  $\pm 0.1$  - 149.4 x 78.4 x 45.5

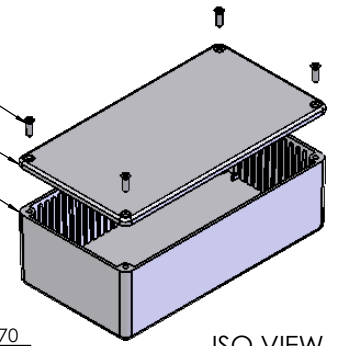


SECTION B-B

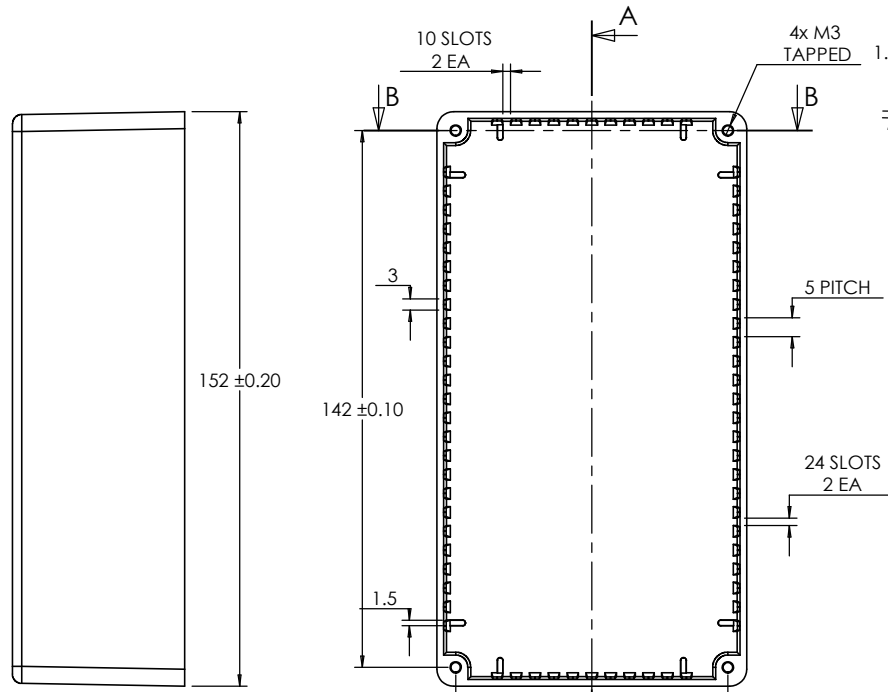
M3 CSK SCREW

LID

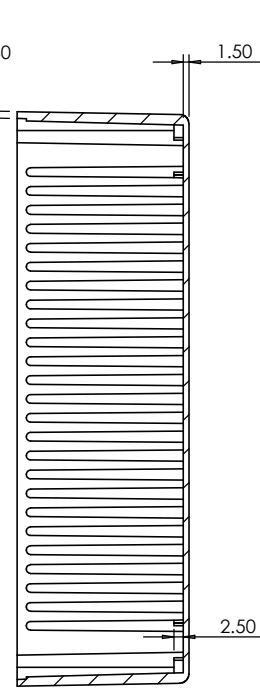
BASE



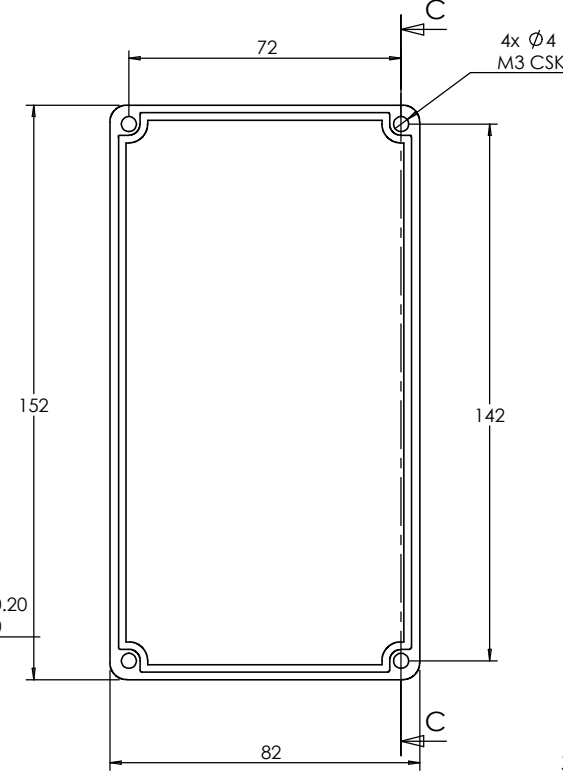
ISO VIEW  
1:4



BASE

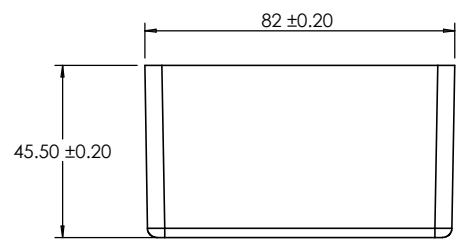


SECTION A-A



SECTION C-C

LID



<p>JAMES CARTER RD, MILDENHALL, SUFFOLK, IP28 7DE TEL: 01638 716101 FAX: 01638 716554 EMAIL: Sales@CamdenBoss.com WEB: www.CamdenBoss.com</p>				UNLESS OTHERWISE SPECIFIED: DIMENSIONS ARE IN MILLIMETERS		DO NOT SCALE DRAWING		REVISION: 0	
				FINISH: <b>SMOOTH</b>		TITLE: <b>ASSEMBLY DRG FOR 5005/15</b>			
DRAWN S.HARDINGE		SIGNED SJH		DATE 07/12/05		MATERIAL: DIE-CAST ALUMINIUM		DWG NO. <b>5005,15</b>	
CHK'D -		-		-		PROJECTION: 		SCALE: 1:2	
								SHEET 1 OF 1	

A4