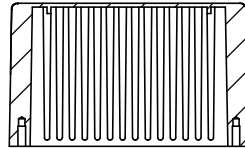


OVERALL ASSEMBLY DIMENSIONS:

EXTERNAL - 121 x 95 x 61

INTERNAL - 117.4 x 91.4 x 56.8

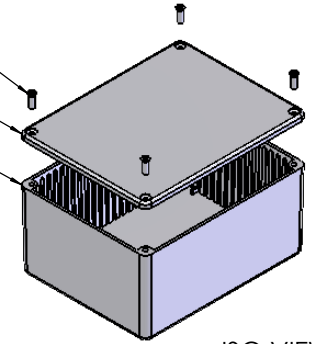


SECTION B-B

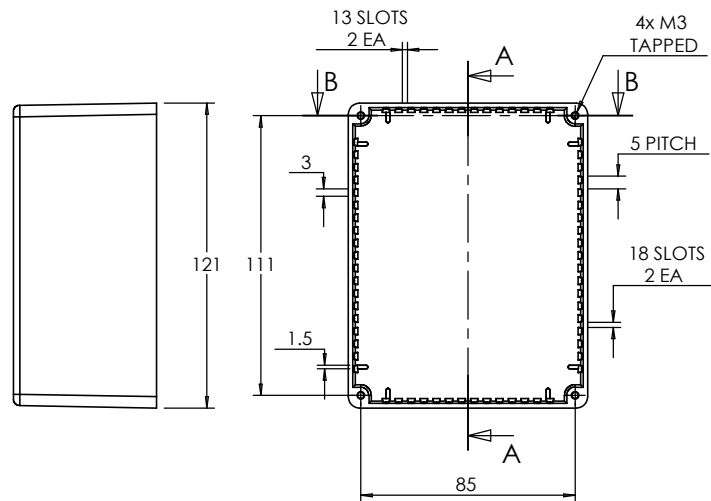
M3 CSK SCREW

LID

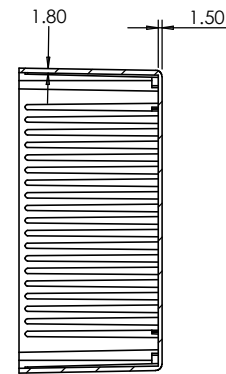
BASE



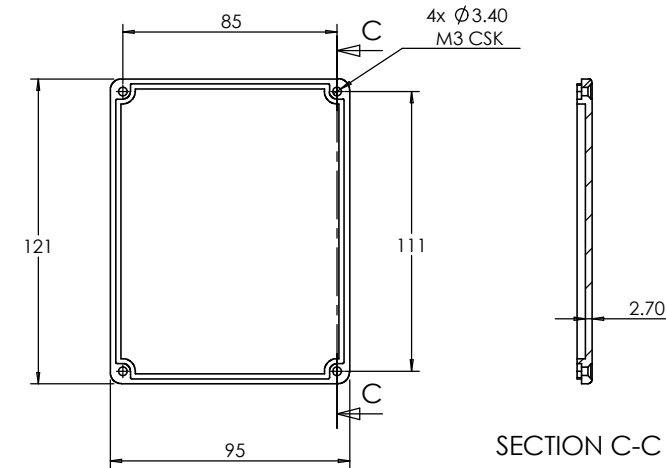
ISO VIEW
1:4



LID

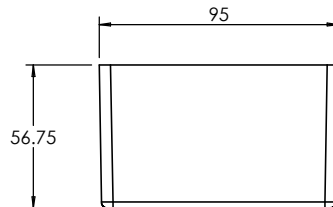


SECTION A-A



SECTION C-C

BASE



		UNLESS OTHERWISE SPECIFIED: DIMENSIONS ARE IN MILLIMETERS		DO NOT SCALE DRAWING	REVISION: 0
		FINISH: SMOOTH		TITLE: ASSEMBLY DRG FOR 5007,17	
JAMES CARTER RD, MILDENHALL, SUFFOLK, IP28 7DE TEL: 01638 716101 FAX: 01638 716554 EMAIL: Sales@CamdenBoss.com WEB: www.CamdenBoss.com		MATERIAL: DIE-CAST ALUMINIUM		DWG NO. 5007,17	A4
DRAWN	S.HARDINGE	SJH	07/12/05	SCALE: 1:3	SHEET 1 OF 1
CHK'D	-	-	-	PROJECTION:	