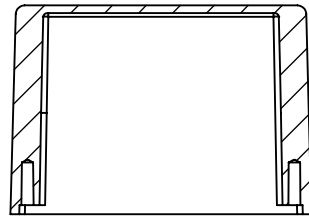


OVERALL ASSEMBLY DIMENSIONS:

EXTERNAL - 120.5 x 79.6 x 59.3

INTERNAL 115.9 x 75 x 55.2

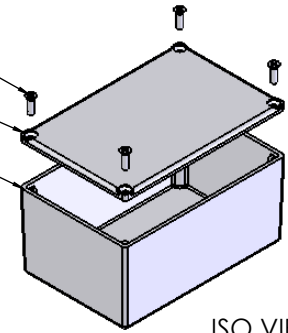


SECTION B-B

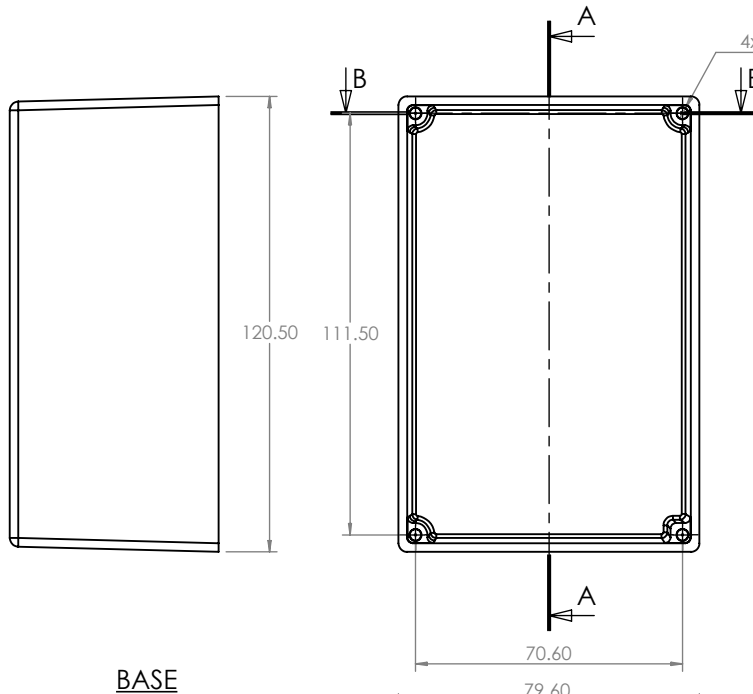
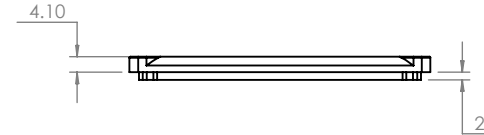
SELF TAPPING SCREW

LID

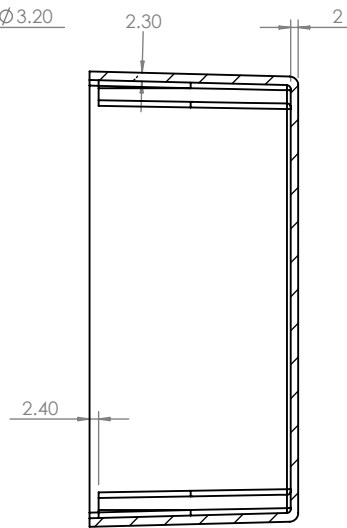
BASE



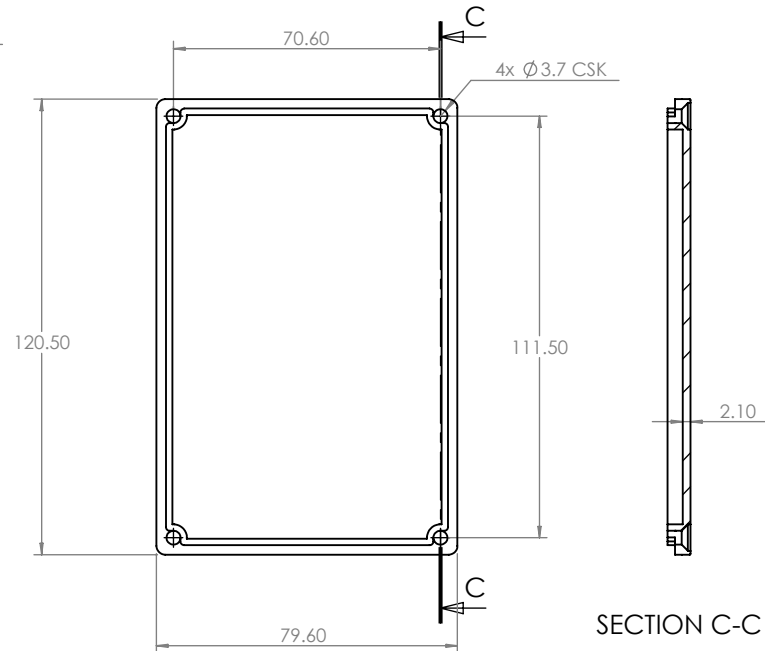
ISO VIEW
1:4



BASE

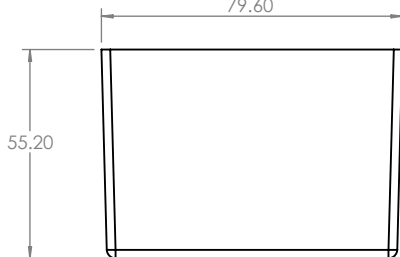


SECTION A-A



SECTION C-C

LID



		UNLESS OTHERWISE SPECIFIED: DIMENSIONS ARE IN MILLIMETERS		DO NOT SCALE DRAWING	REVISION. 0
		FINISH: SMOOTH		TITLE: ASSEMBLY DRG FOR 5100-472	
JAMES CARTER RD, MILDENHALL, SUFFOLK. IP28 7DE TEL: 01 638 716101 FAX: 01 638 716554 EMAIL: SALES@BOSS-ENCLOSURES.CO.UK WEB: www.BOSS-ENCLOSURES.CO.UK		MATERIAL: DIE-CAST ALUMINIUM		DWG NO. 5100-472	A4
DRAWN	S.HARDINGE	SIGNED	SJH	DATE	09/12/05
CHKD	-	-	-	-	-
PROJECTION.				SCALE: 1 : 2	SHEET 1 OF 1