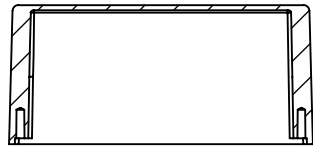


OVERALL ASSEMBLY DIMENSIONS:

EXTERNAL - 120.5 x 120.5 x 59.2

INTERNAL - 115.9 x 115.9 x 55.2

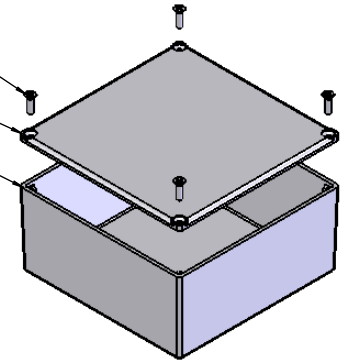


SECTION B-B

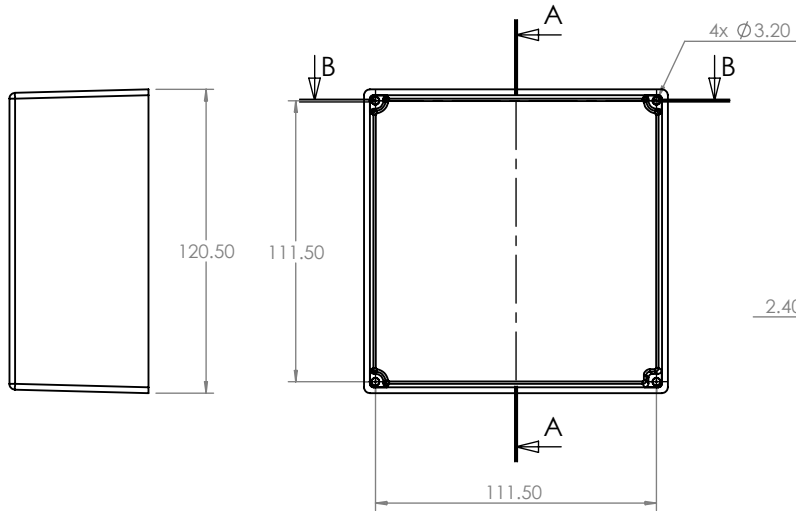
SELF TAPPING SCREW

LID

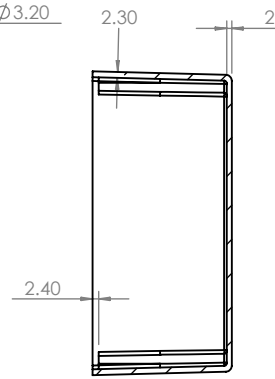
BASE



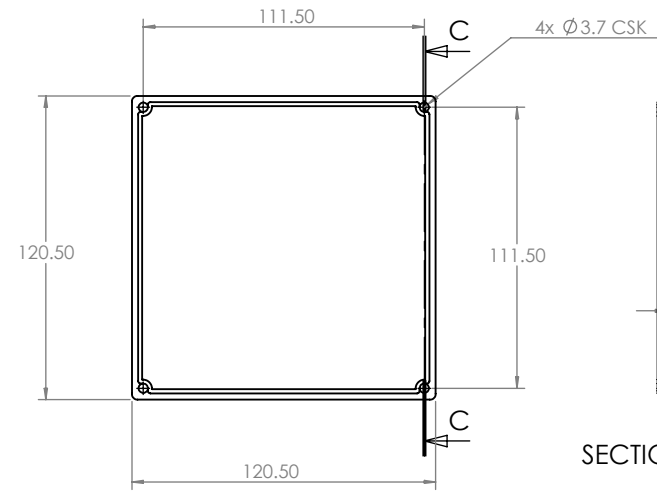
ISO VIEW  
1:4



BASE



SECTION A-A



SECTION C-C

LID

		UNLESS OTHERWISE SPECIFIED: DIMENSIONS ARE IN MILLIMETERS		DO NOT SCALE DRAWING	REVISION. 0
		FINISH. <b>SMOOTH</b>		TITLE: <b>ASSEMBLY DRG FOR 5100-474</b>	
JAMES CARTER RD, MILDENHALL, SUFFOLK. IP28 7DE TEL: 01 638 716101 FAX: 01 638 716554 EMAIL: SALES@BOSS-ENCLOSURES.CO.UK WEB: www.BOSS-ENCLOSURES.CO.UK		MATERIAL. DIE-CAST ALUMINIUM		DWG NO. <b>5100-474</b>	A4
DRAWN	S.HARDINGE	SJH	13/12/05	SCALE: 1 : 3	SHEET 1 OF 1
CHKD	-	-	-	PROJECTION.	