

OVERALL ASSEMBLY DIMENSIONS:

EXTERNAL - 152.2 x 82.2 x 50.8

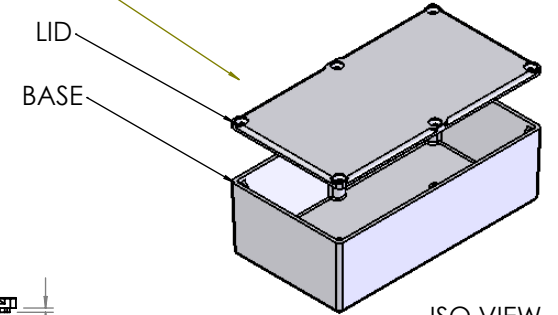
INTERNAL - 147.6 x 77.6 x 46.8



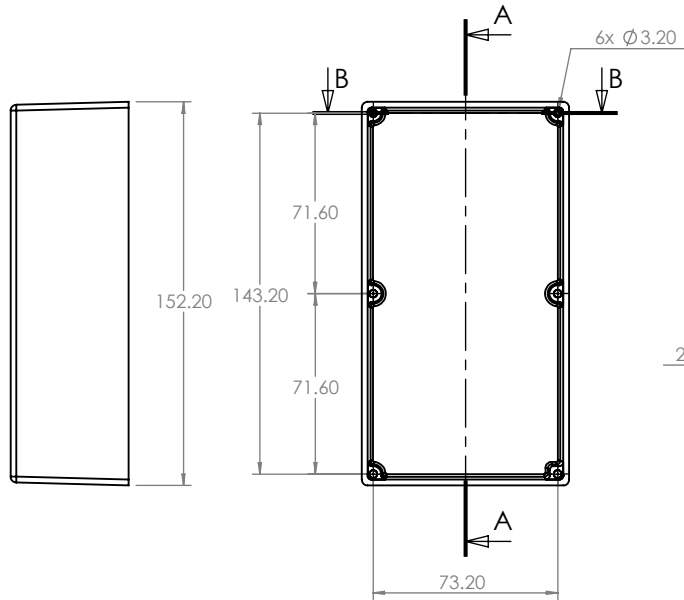
SECTION B-B



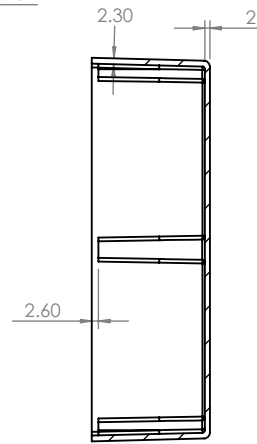
SELF TAPPING SCREW



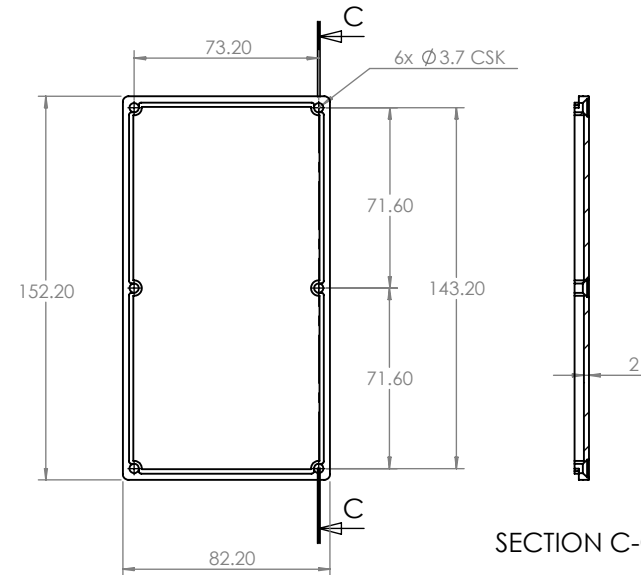
ISO VIEW  
1:4



BASE

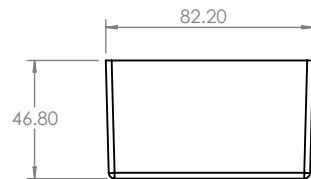


SECTION A-A



LID

SECTION C-C



		UNLESS OTHERWISE SPECIFIED: DIMENSIONS ARE IN MILLIMETERS		DO NOT SCALE DRAWING		REVISION. 0	
		FINISH. <b>SMOOTH</b>		TITLE: <b>ASSEMBLY DRG FPR 5100-476 BOX</b>			
MATERIAL. DIE-CAST ALUMINIUM		DRAWN S.HARDINGE		DWG NO. <b>5100-476</b>		A4	
NAME S.HARDINGE		SIGNED SJH		DATE 14/12/05		SCALE. 1 : 3	
CHKD -		SIGNED -		DATE -		SHEET 1 OF 1	
PROJECTION.							

JAMES CARTER RD, MILDENHALL, SUFFOLK. IP28 7DE  
TEL: 01 638 716101 FAX: 01 638 716554  
EMAIL: SALES@BOSS-ENCLOSURES.CO.UK  
WEB: WWW.BOSS-ENCLOSURES.CO.UK