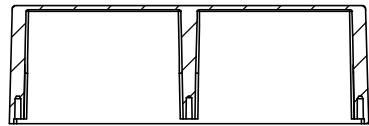


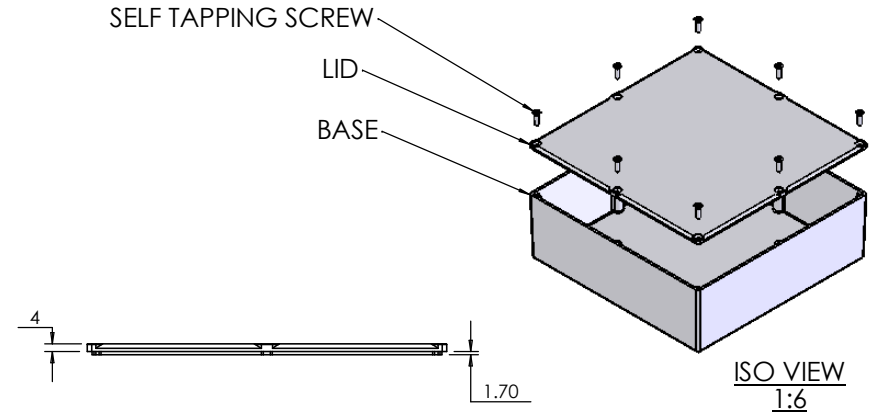
OVERALL ASSEMBLY DIMENSIONS:

EXTERNAL - 190.1 x 190.1 x 66.5

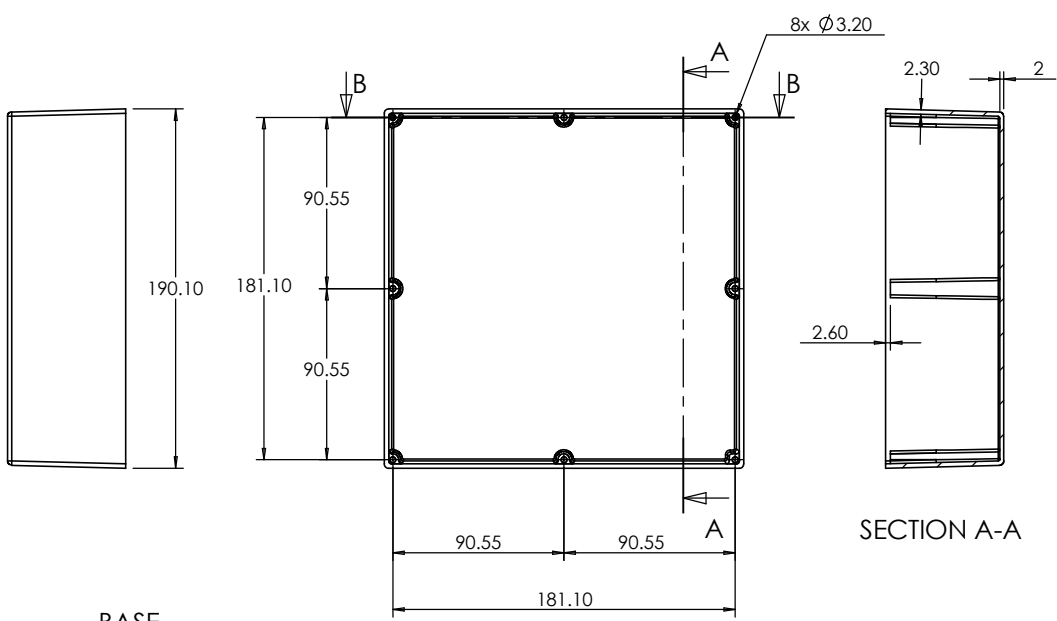
INTERNAL - 185.5 x 185.5 x 62.5



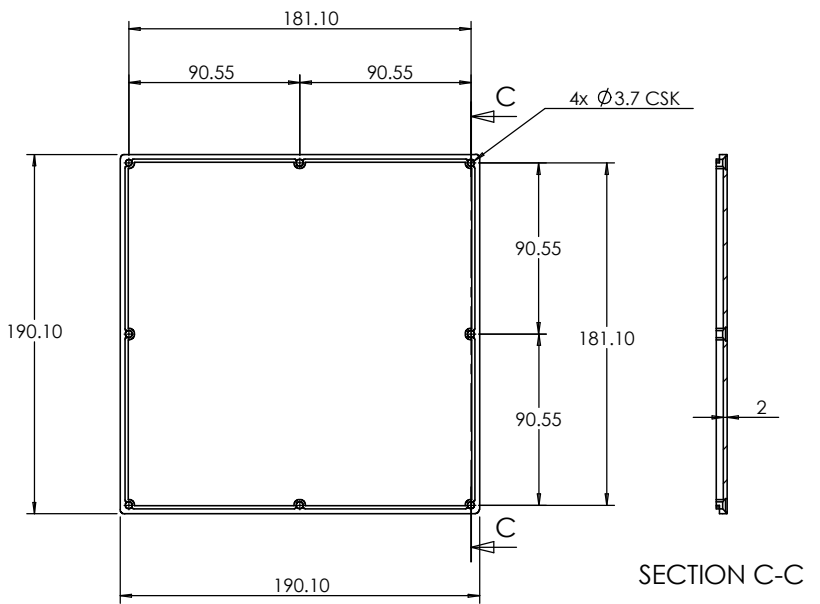
SECTION B-B



ISO VIEW
1:6



BASE



LID

 JAMES CARTER RD, MILDENHALL, SUFFOLK. IP28 7DE TEL: 01638 716101 FAX: 01638 716554 EMAIL: Sales@CamdenBoss.com WEB: www.CamdenBoss.com				UNLESS OTHERWISE SPECIFIED: DIMENSIONS ARE IN MILLIMETERS		DO NOT SCALE DRAWING		REVISION. 0		
				FINISH: SMOOTH		TITLE: ASSEMBLY DRG FOR 5100-478				
DRAWN S.HARDINGE		SIGNED SJH		DATE 22/12/05		MATERIAL: DIE-CAST ALUMINIUM		DWG NO. 5100-478		A4
CHK'D -		-		-		PROJECTION.		SCALE: 1 : 4		SHEET 1 OF 1