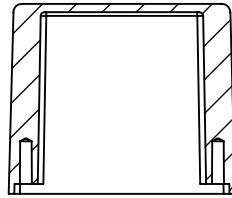


OVERALL ASSEMBLY DIMENSIONS:

EXTERNAL - 110.7 x 59.9 x 54.2

INTERNAL - 107.7 x 56.9 x 50

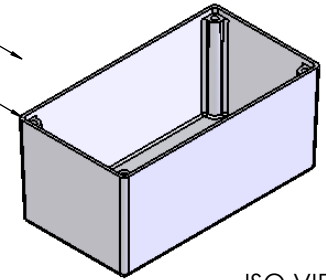


SECTION B-B

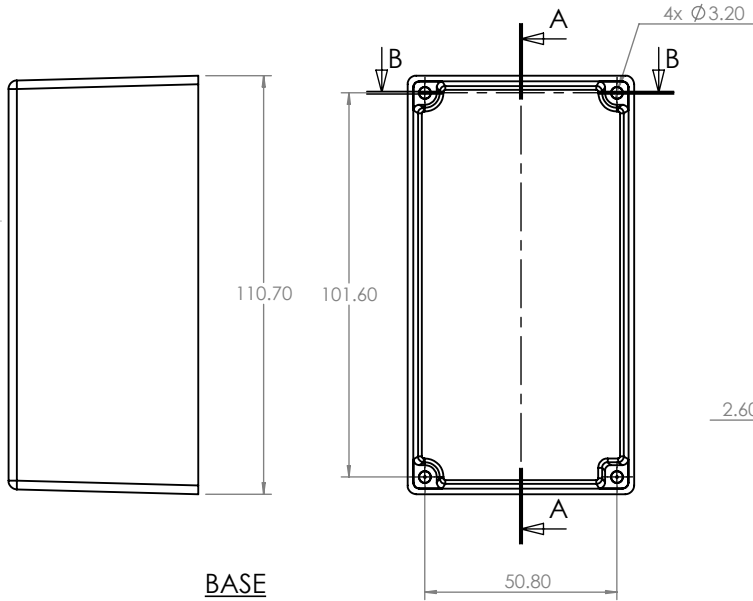
SELF TAPPING SCREW

LID

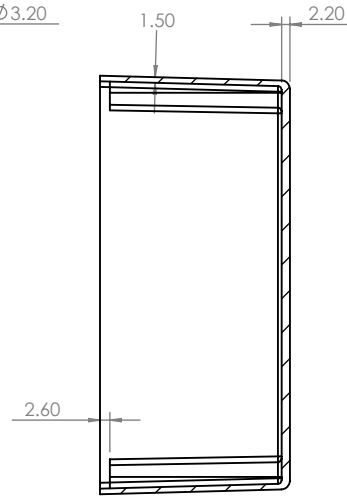
BASE



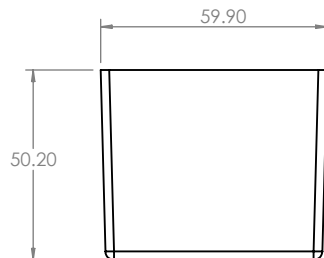
ISO VIEW
1:3





BASE



SECTION A-A



 UNLESS OTHERWISE SPECIFIED: DIMENSIONS ARE IN MILLIMETERS		DO NOT SCALE DRAWING	REVISION. 0
		TITLE: DRG FOR 5100-479 BOX	
FINISH: SMOOTH		DWG NO.	5100-479
MATERIAL: DIE-CAST ALUMINIUM		SCALE: 1 : 2	SHEET 1 OF 1
DRAWN	NAME: S.HARDINGE	SIGNED: SJH	DATE: 08/12/05
CHK'D	-	-	-
PROJECTION.			

JAMES CARTER RD, MILDENHALL, SUFFOLK. IP28 7DE TEL: 01 638 716101 FAX: 01 638 716554 EMAIL: SALES@BOSS-ENCLOSURES.CO.UK WEB: www.BOSS-ENCLOSURES.CO.UK			
NAME	SIGNED	DATE	
S.HARDINGE	SJH	08/12/05	
-	-	-	

A4