

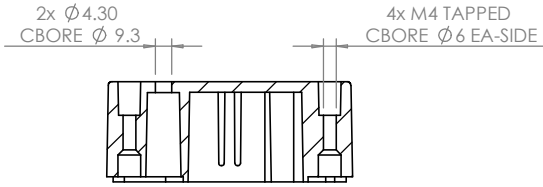
OVERALL ASSEMBLY DIMENSIONS:

EXTERNAL - 115 x 65 x 30.2

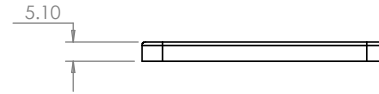
INTERNAL - 109 x 59 x 24.8

(1) 4x M4 UNIT ASSEMBLY SCREW

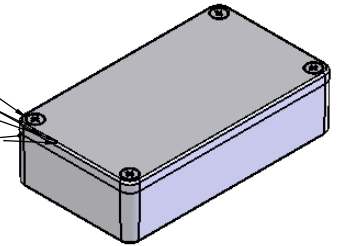
(2) 2x SELF-TAPPING INTERNAL MOUNTING SCREW



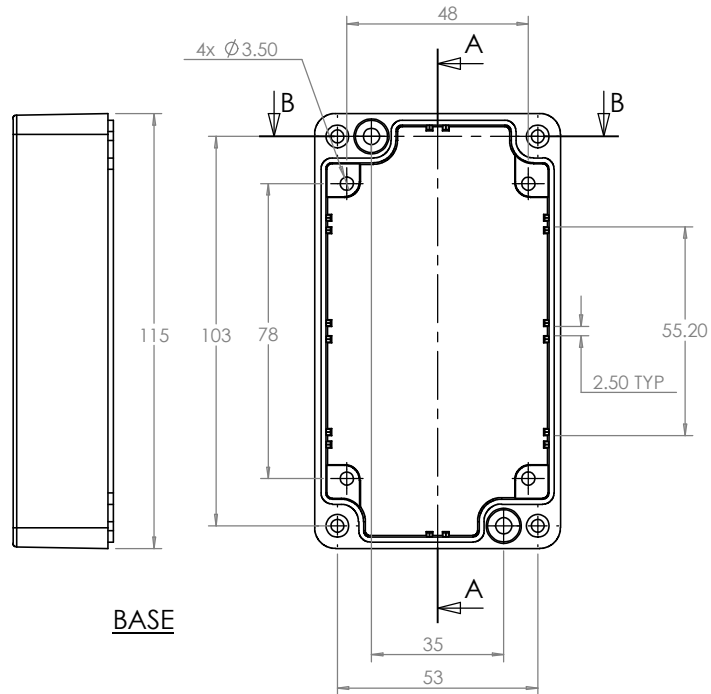
SECTION B-B



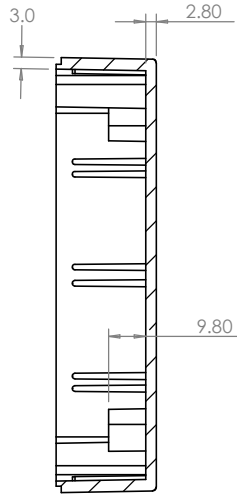
SCREW (1)
O-RING
SCREW (2)
SPRING WASHER



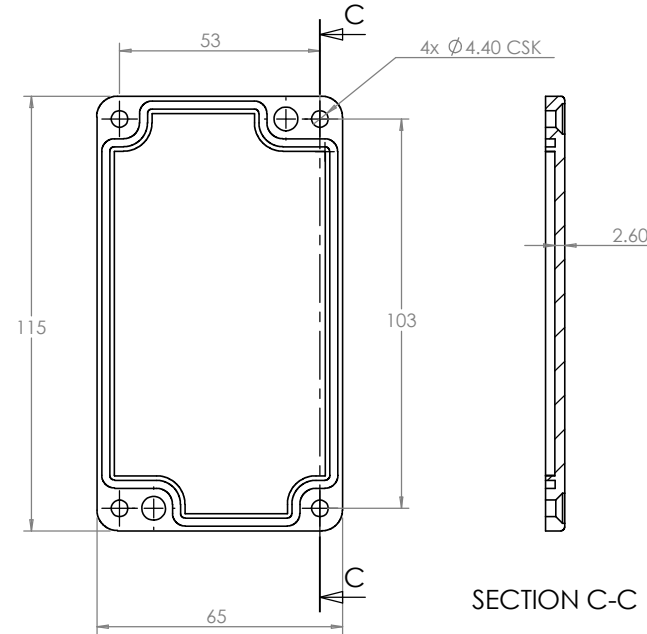
ISO VIEW
1:3



BASE



SECTION A-A



SECTION C-C

LID

 JAMES CARTER RD, MILDENHALL, SUFFOLK, IP28 7DE TEL: 01638 716101 FAX: 01638 716554 EMAIL: Sales@CamdenBoss.com WEB: www.CamdenBoss.com				UNLESS OTHERWISE SPECIFIED: DIMENSIONS ARE IN MILLIMETERS		DO NOT SCALE DRAWING		REVISION. O		
				FINISH. SMOOTH		TITLE: ASSEMBLY DRG FOR 5500-06				
DRAWN S.HARDINGE		SIGNED SJH		DATE 04/01/06		MATERIAL. DIE-CAST ALUMINIUM		DWG NO. 5500-06		A4
CHK'D -		-		-		PROJECTION.		SCALE: 1:2		SHEET 1 OF 1