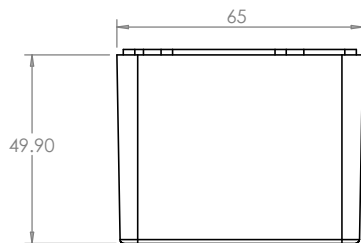
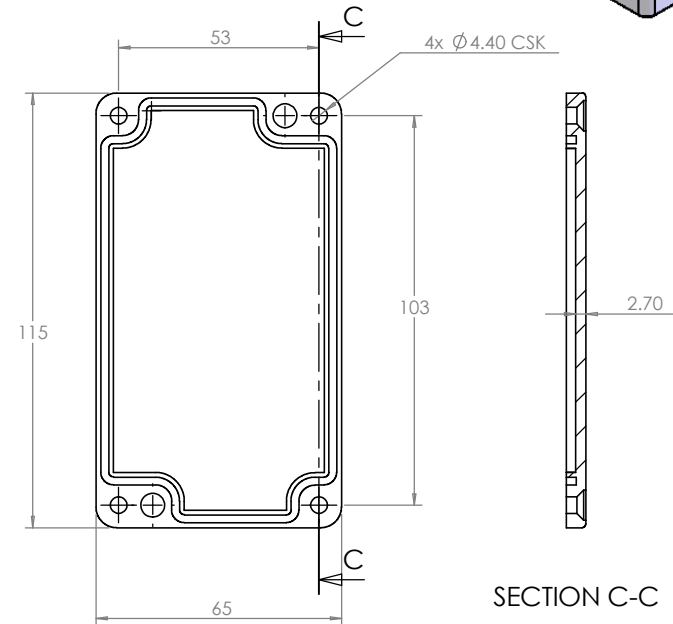
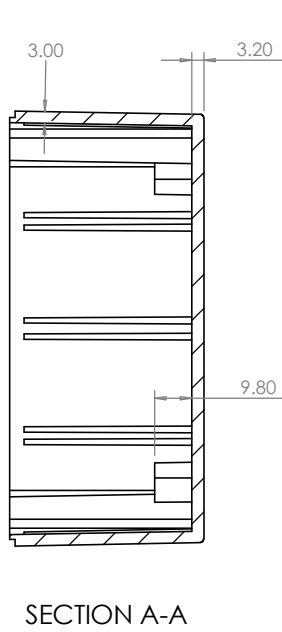
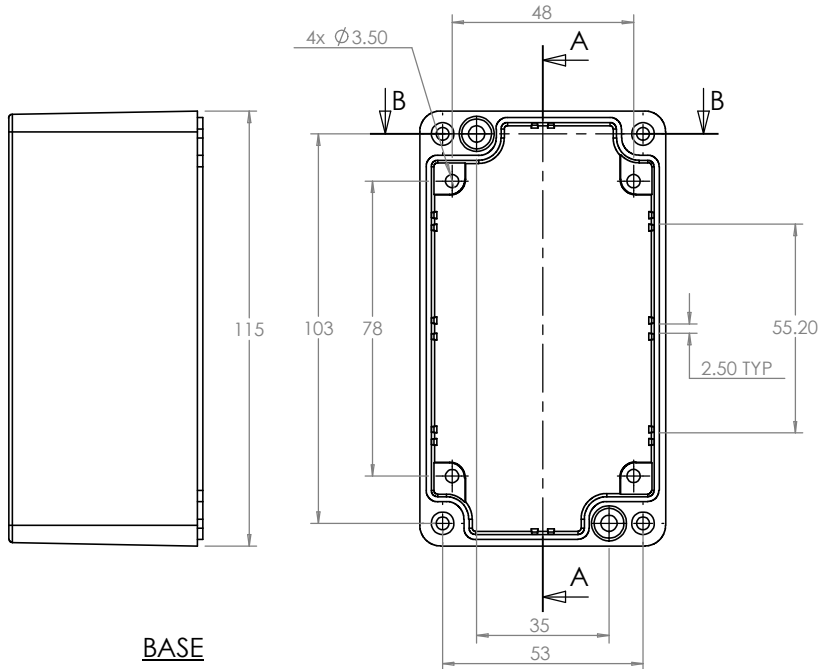
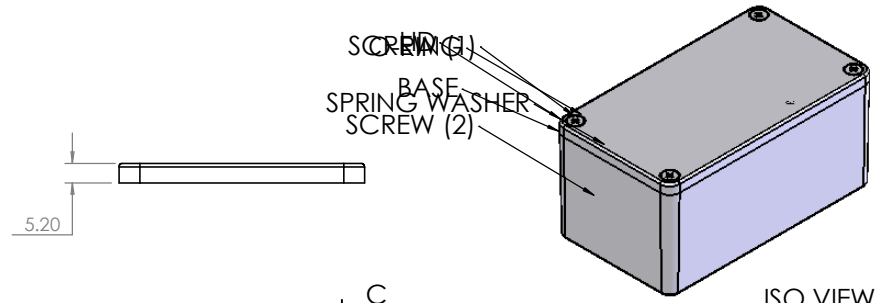
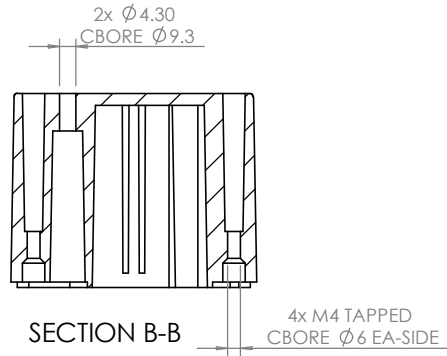


OVERALL ASSEMBLY DIMENSIONS:

EXTERNAL - 115 x 65 x 55.1

INTERNAL - 109 x 59 x 49.2

- (1) 4x M4 UNIT ASSEMBLY SCREW
- (2) 2x SELF-TAPPING INTERNAL MOUNTING SCREW



		UNLESS OTHERWISE SPECIFIED: DIMENSIONS ARE IN MILLIMETERS		DO NOT SCALE DRAWING	REVISION. 0
		FINISH: SMOOTH		TITLE: ASSEMBLY DRG FOR 5500-11	
MATERIAL: DIE-CAST ALUMINIUM		DWG NO. 5500-11		A4	
DRAWN: S.HARDINGE CHK'D: -	SIGNED: SJH DATE: 05/01/06	PROJECTION:		SCALE: 1:2	SHEET 1 OF 1