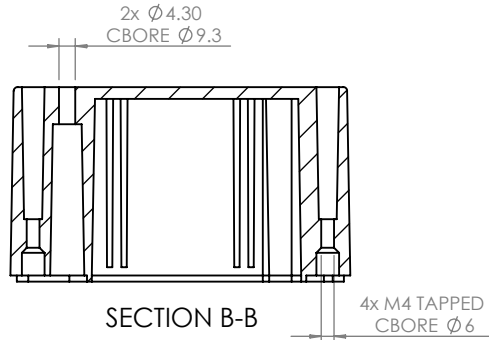


OVERALL ASSEMBLY DIMENSIONS:

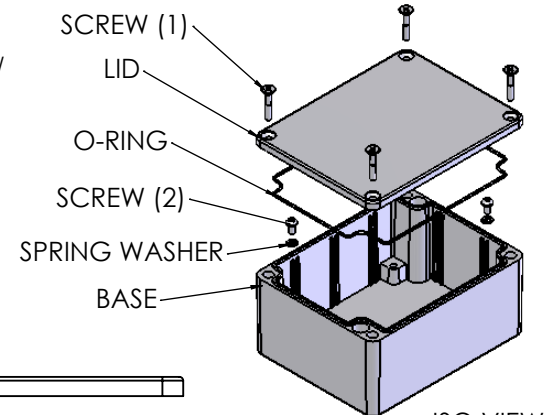
EXTERNAL - 115 x 89.9 x 54.9

INTERNAL - 109 x 83.9 x 49.2

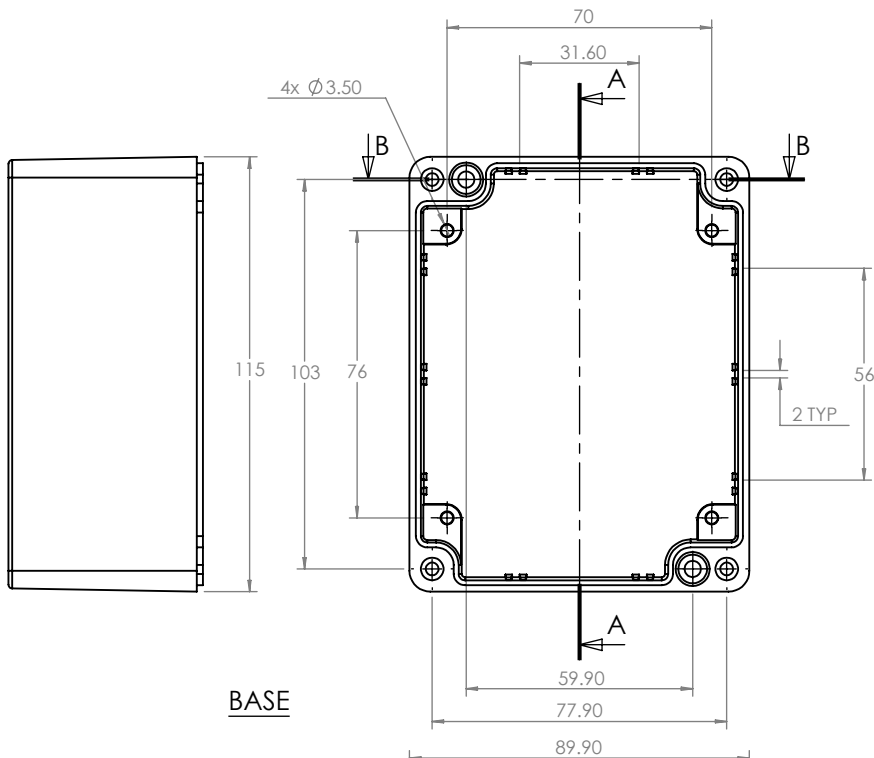


SECTION B-B

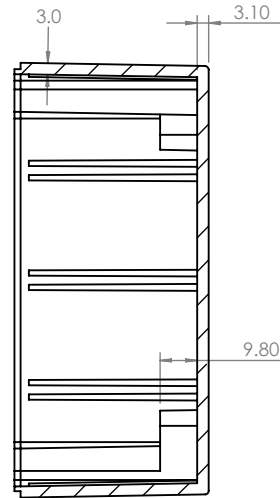
- (1) 4x M4 UNIT ASSEMBLY SCREW
- (2) 2x SELF-TAPPING INTERNAL MOUNTING SCREW



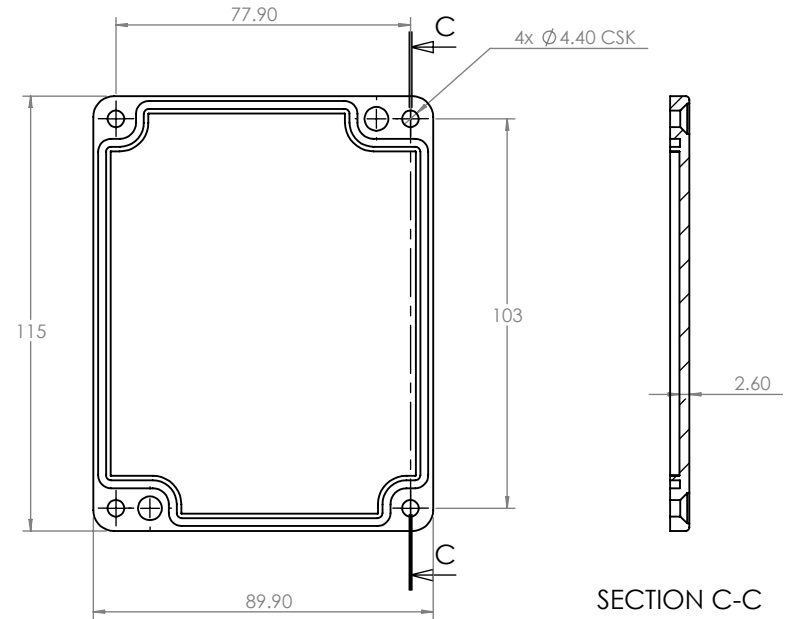
ISO VIEW
1:4



BASE



SECTION A-A



LID

SECTION C-C



JAMES CARTER RD, MILDENHALL, SUFFOLK, IP28 7DE
 TEL: 01638 716101 FAX: 01638 716554
 EMAIL: Sales@CamdenBoss.com
 WEB: www.CamdenBoss.com

UNLESS OTHERWISE SPECIFIED:
 DIMENSIONS ARE IN MILLIMETERS

FINISH:
 SMOOTH

MATERIAL:
 DIE-CAST ALUMINIUM

DO NOT SCALE DRAWING

REVISION. 0

TITLE:

ASSEMBLY DRG FOR 5500-13

	NAME	SIGNED	DATE
DRAWN	S.HARDINGE	SJH	05/01/06
CHKD	-	-	-

DWG NO.

5500-13

A4

PROJECTION.

SCALE: 1 : 2

SHEET 1 OF 1