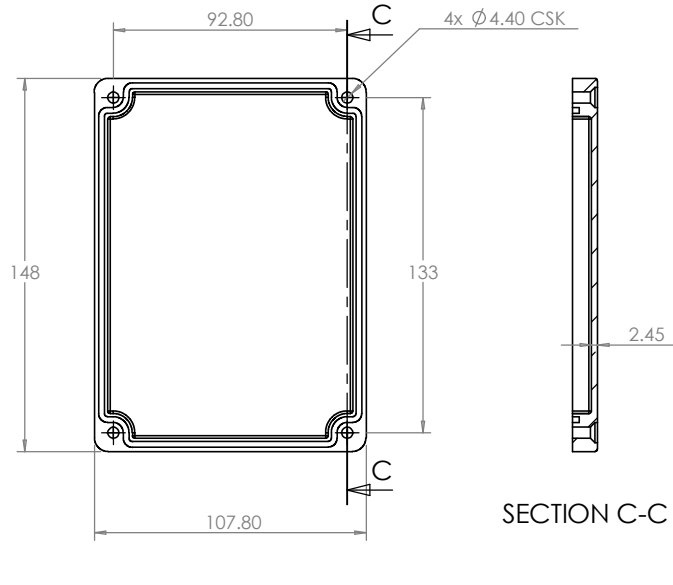
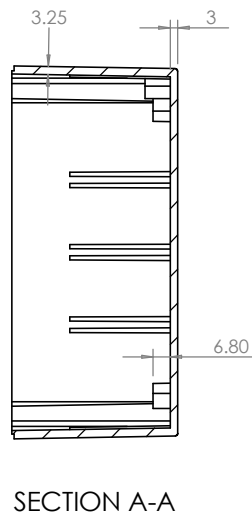
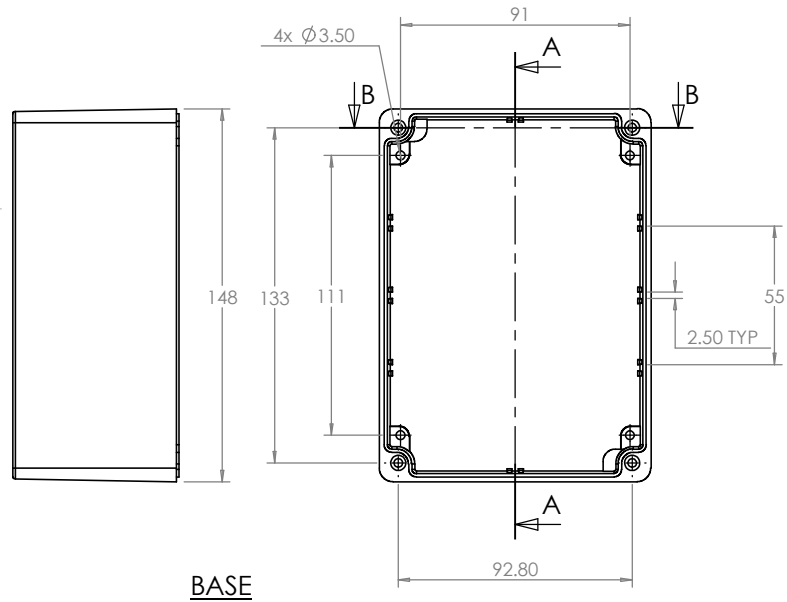
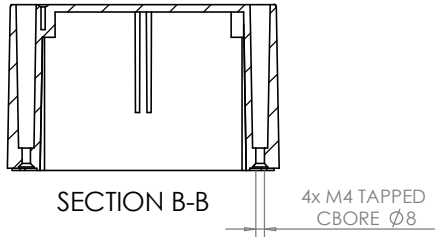


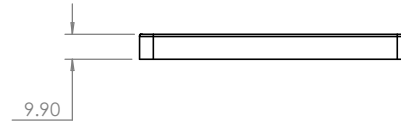
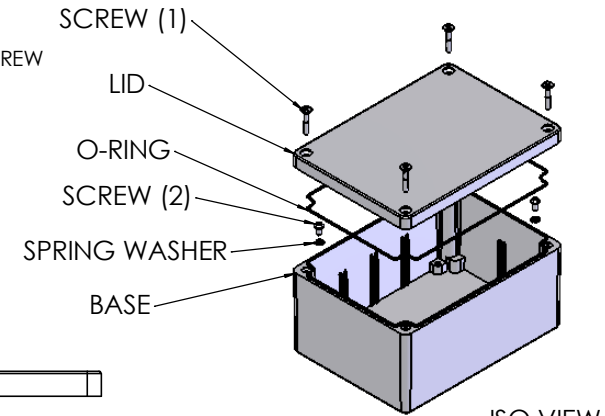
OVERALL ASSEMBLY DIMENSIONS:

EXTERNAL - 148 x 107.8 x 74.8

INTERNAL - 141.5 x 101.3 x 69.3



- (1) 4x M4 UNIT ASSEMBLY SCREW
- (2) 2x SELF-TAPPING INTERNAL MOUNTING SCREW



<p>JAMES CARTER RD, MILDENHALL, SUFFOLK. IP28 7DE TEL: 01638 716101 FAX: 01638 716554 EMAIL: Sales@CamdenBoss.com WEB: www.CamdenBoss.com</p>		UNLESS OTHERWISE SPECIFIED: DIMENSIONS ARE IN MILLIMETERS		DO NOT SCALE DRAWING	REVISION. 0
		FINISH. <b>SMOOTH</b>		TITLE: <b>ASSEMBLY DRG FOR 5500-15</b>	
DRAWN	S.HARDINGE	SIGNED	SJH	DATE	06/01/06
CHK'D	-	-	-	-	-
MATERIAL. DIE-CAST ALUMINIUM		DWG NO.		<b>5500-15</b>	
PROJECTION.		SCALE. 1:3		SHEET 1 OF 1	
			A4		