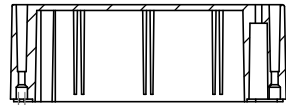


OVERALL ASSEMBLY DIMENSIONS:

EXTERNAL - 222.5 x 145.8 x 54.7

INTERNAL - 116.5 x 139.8 x 49.2

2x $\phi 3.40$
CBORE $\phi 9.9$

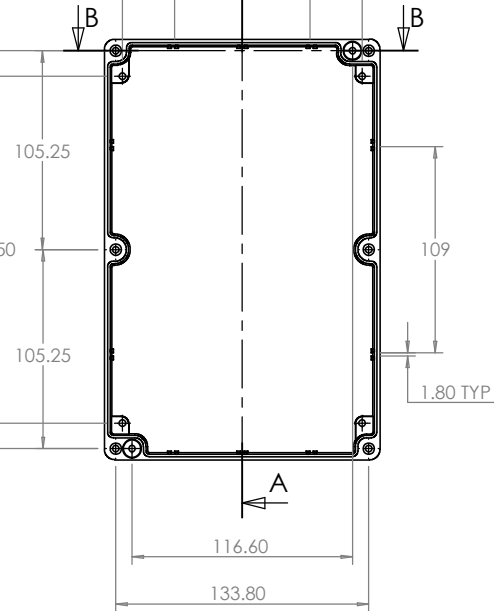


6x M4 TAPPED
CBORE $\phi 5.9$ EA-SIDE

SECTION B-B

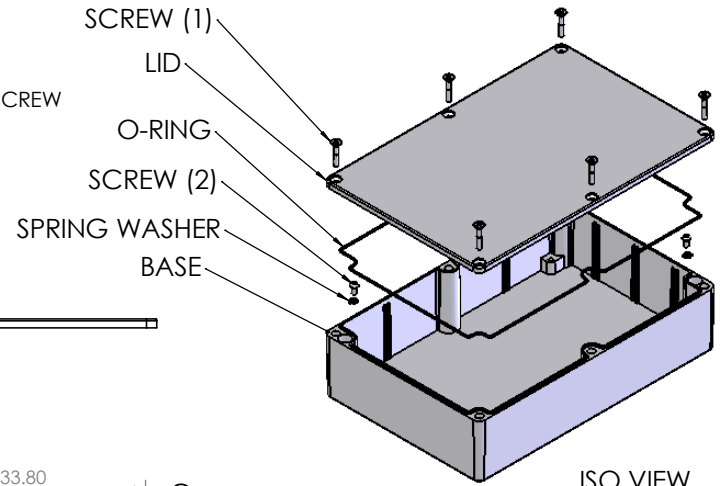
126.80

71.50

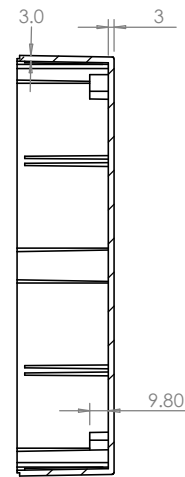


BASE

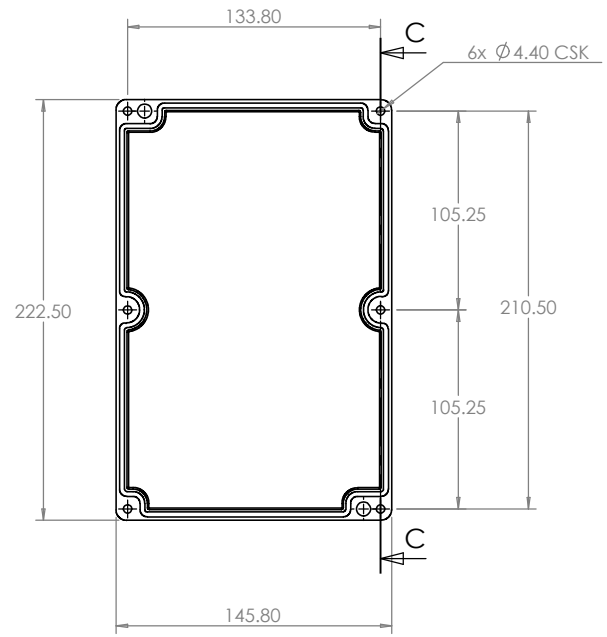
- (1) 6x M4 UNIT ASSEMBLY SCREW
- (2) 2x SELF-TAPPING INTERNAL MOUNTING SCREW



ISO VIEW
1:5

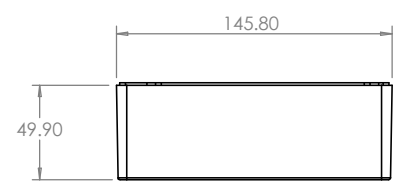


SECTION A-A



SECTION C-C

LID



CAMDENBOSS
ELECTRONICS & ENCLOSURES

JAMES CARTER RD, MILDENHALL, SUFFOLK. IP28 7DE
TEL: 01638 716101 FAX: 01638 716554
EMAIL: Sales@CamdenBoss.com
WEB: www.CamdenBoss.com

UNLESS OTHERWISE SPECIFIED:
DIMENSIONS ARE IN MILLIMETERS

FINISH:
SMOOTH

MATERIAL:
DIE-CAST ALUMINIUM

PROJECTION.

DO NOT SCALE DRAWING	REVISION. 0
TITLE: ASSEMBLY DRG FOR 5500-24	
DWG NO. 5500-24	A4
SCALE: 1 : 4	SHEET 1 OF 1

	NAME	SIGNED	DATE
DRAWN	S.HARDINGE	SJH	10/01/06
CHK'D	-	-	-