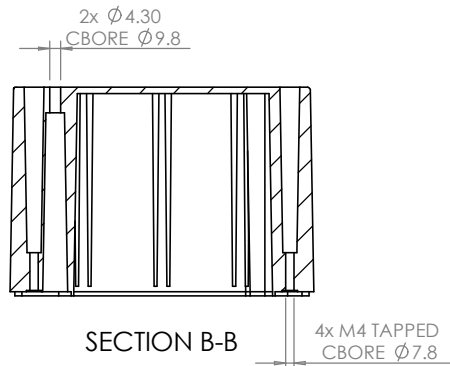


OVERALL ASSEMBLY DIMENSIONS:

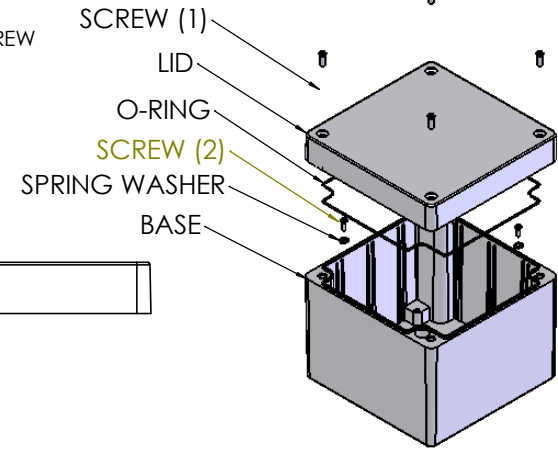
EXTERNAL - 120.5 X 120.5 x 101.4

INTERNAL - 114.5 x 114.5 x 96.4

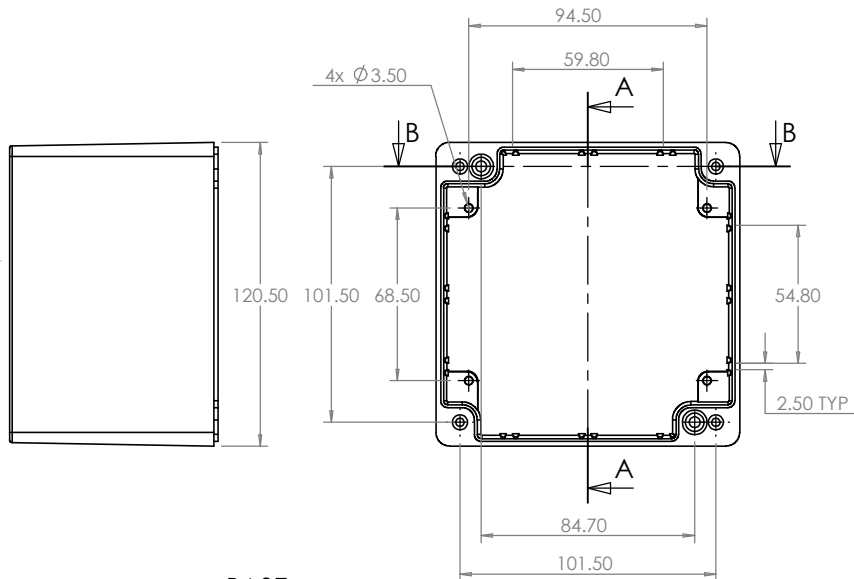


SECTION B-B

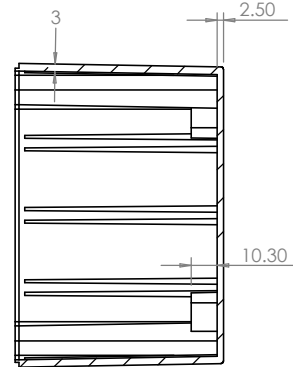
- (1) 4x M4 UNIT ASSEMBLY SCREW
- (2) 2x SELF-TAPPING INTERNAL MOUNTING SCREW



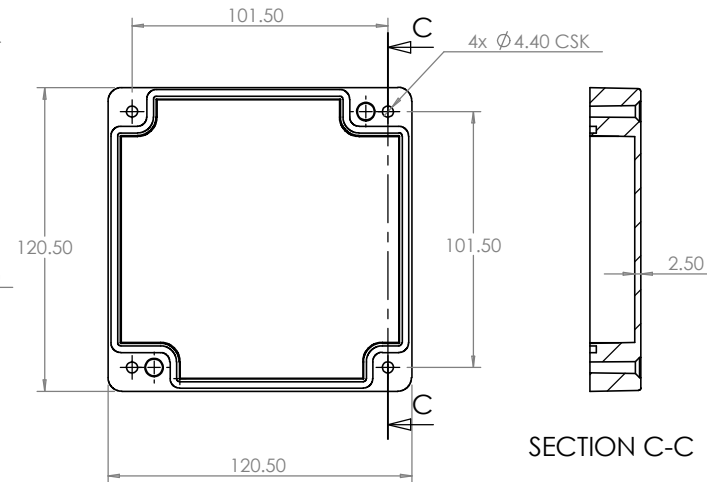
ISO VIEW  
1:5



BASE

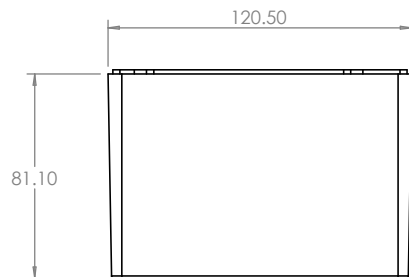


SECTION A-A



SECTION C-C

LID



		UNLESS OTHERWISE SPECIFIED: DIMENSIONS ARE IN MILLIMETERS		DO NOT SCALE DRAWING	REVISION. 0
		FINISH: SMOOTH		TITLE: ASSEMBLY DRG FOR 5500-37	
JAMES CARTER RD, MILDENHALL, SUFFOLK. IP28 7DE TEL: 01638 716101 FAX: 01638 716554 EMAIL: Sales@CamdenBoss.com WEB: www.CamdenBoss.com		MATERIAL: DIE-CAST ALUMINIUM		DWG NO. 5500-37	A4
DRAWN	S.HARDINGE	SJH	06/01/06	SCALE: 1 : 3	SHEET 1 OF 1
CHK'D	-	-	-	PROJECTION.	