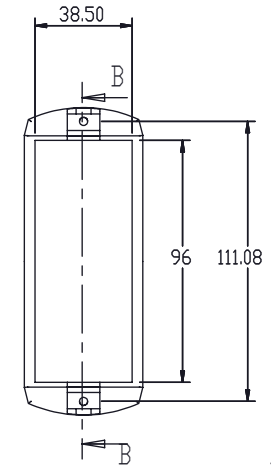
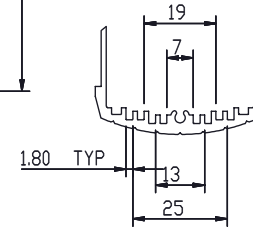
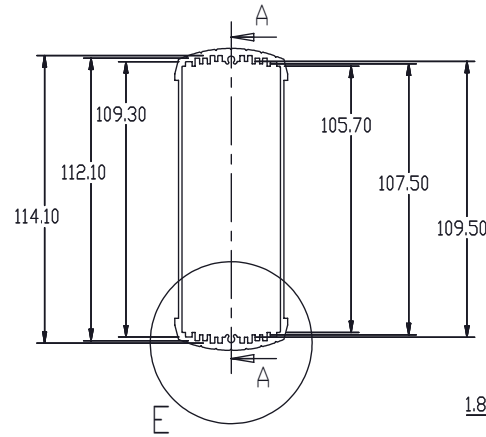
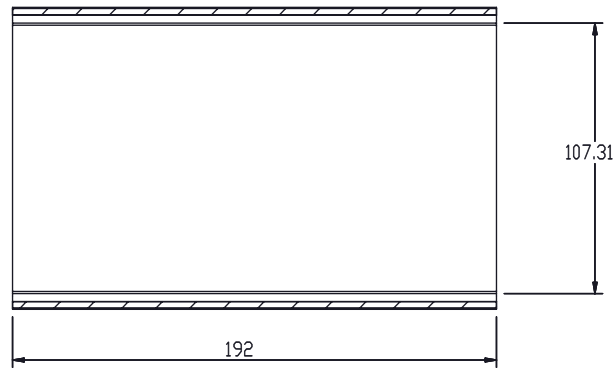


SECTION A-A  
SCALE 1 : 3

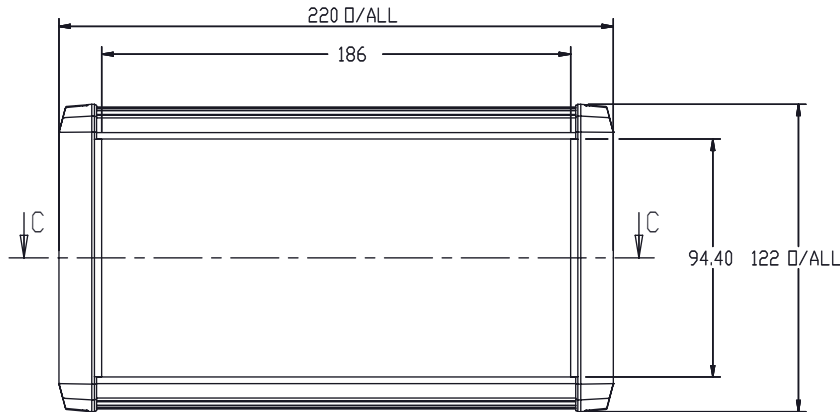


SECTION B-B

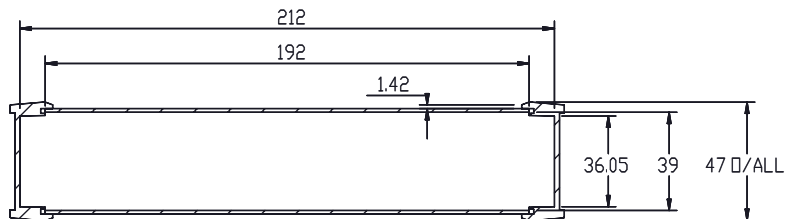
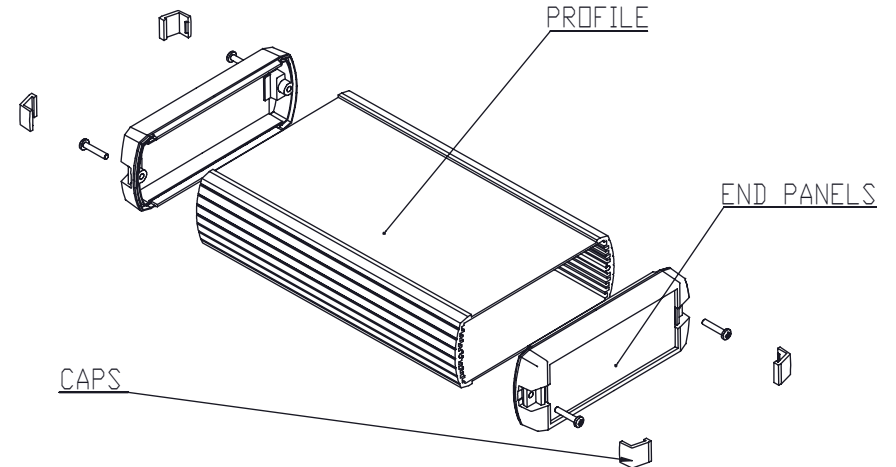
PROFILE

END COVER

ASSEMBLY



ISO VIEW  
1:4



SECTION C-C

			UNLESS OTHERWISE SPECIFIED: DIMENSIONS ARE IN MILLIMETERS		DO NOT SCALE DRAWING	REVISION: 0
			FINISH: EPOXY PAINT		TITLE: GNL ASSEMBLY DRG FOR 55 SERIES	
JAMES CARTER RD, MILDENHALL, SUFFOLK, IP28 7DE TEL: 01638 716101 FAX: 01638 716554 EMAIL: SALES@BOSS-ENCLOSURES.CO.UK WEB: WWW.BOSS-ENCLOSURES.CO.UK			MATERIAL: ALUMINIUM		DWG NO. CEAREPB06	A4
DRAWN	IAN PAGANO	I.P.	06/08/13	PROJECTION:	SCALE: 1 : 3	SHEET 1 OF 1