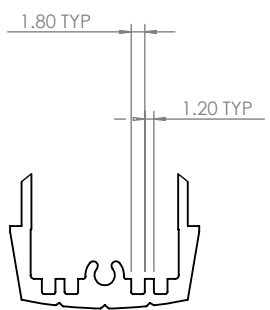
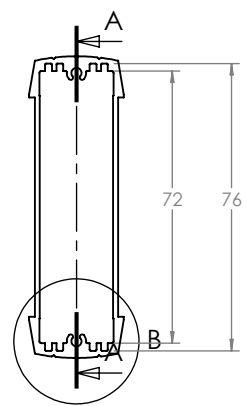
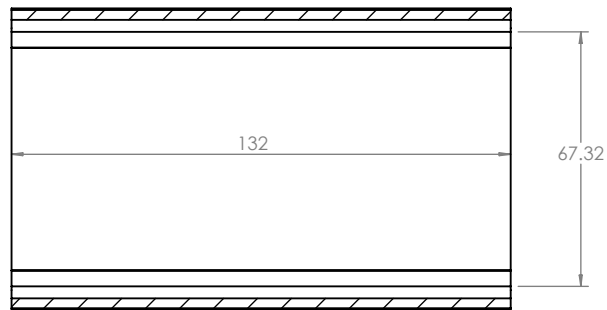
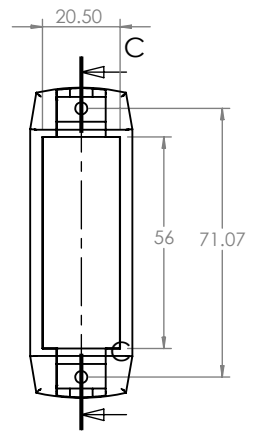
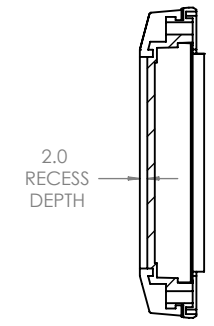


SECTION A-A



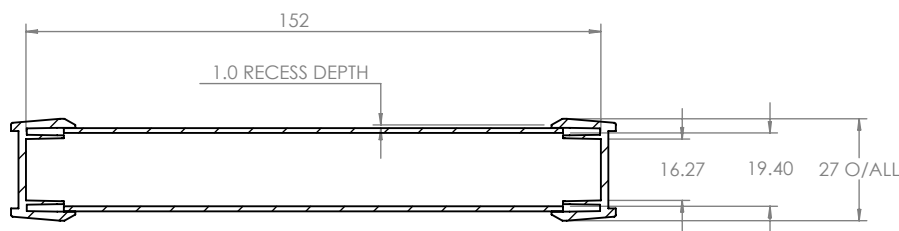
SECTION C-C



PROFILE

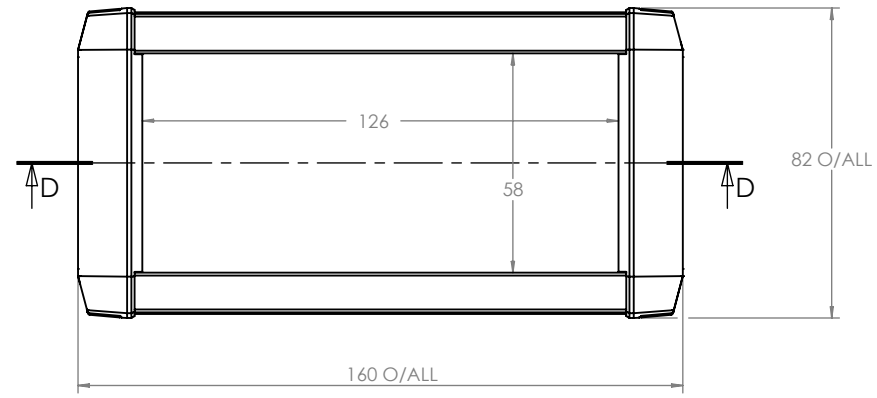
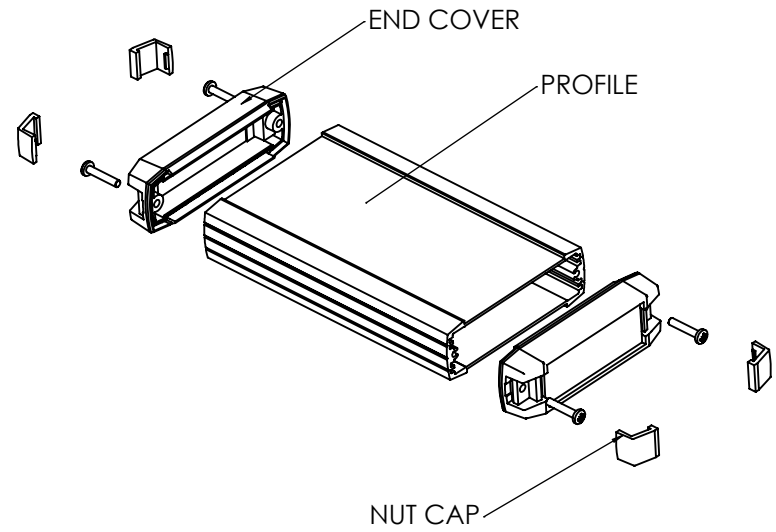
END COVER

ASSEMBLY



SECTION D-D

ISO VIEW  
1:3



		UNLESS OTHERWISE SPECIFIED: DIMENSIONS ARE IN MILLIMETERS		DO NOT SCALE DRAWING	REVISION: 0
		FINISH: EPOXY PAINT		TITLE: GNL ASSEMBLY DRG FOR 55 SERIES	
JAMES CARTER RD, MILDENHALL, SUFFOLK. IP28 7DE TEL: 01638 716101 FAX: 01638 716554 EMAIL: Sales@CamdenBoss.com WEB: www.CamdenBoss.com		MATERIAL: ALUMINIUM		DWG NO.	CEAREPG02
DRAWN	IAN PAGANO	SIGNED	I.P.	DATE	06/08/13
CHK'D	-	-	-	PROJECTION.	
				SCALE: 1 : 2	SHEET 1 OF 1

A4