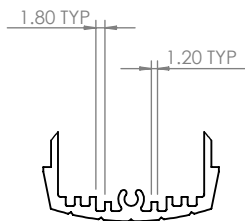
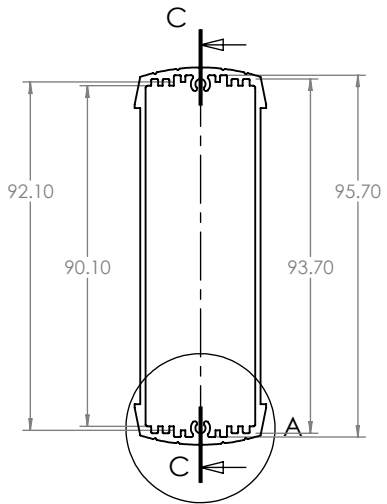
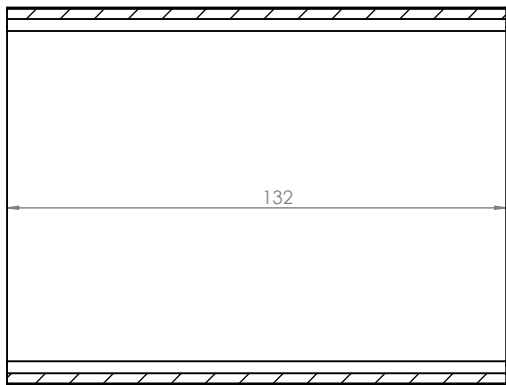
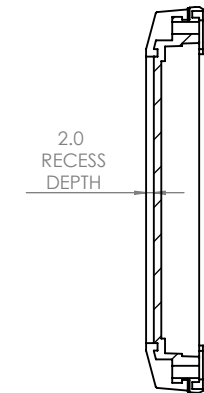


SECTION C-C

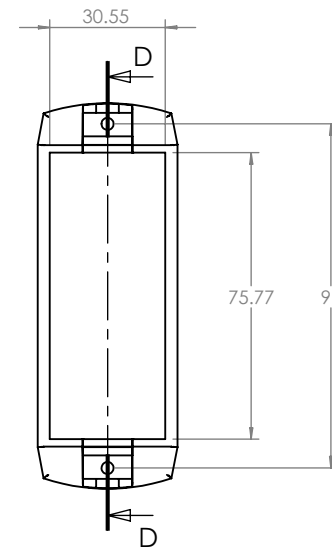


DETAIL A

SECTION D-D

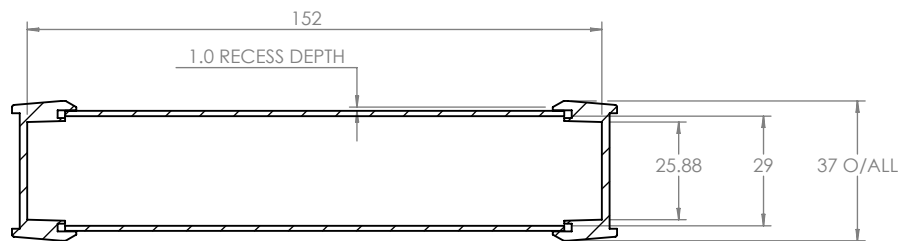


END COVER

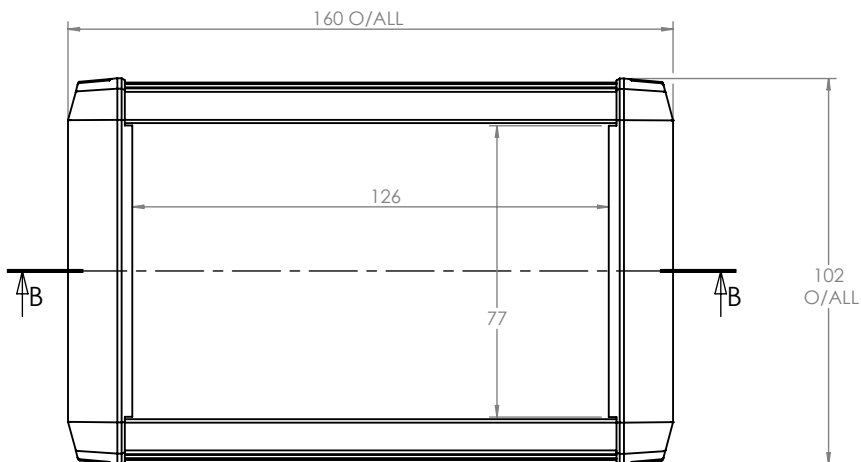


PROFILE

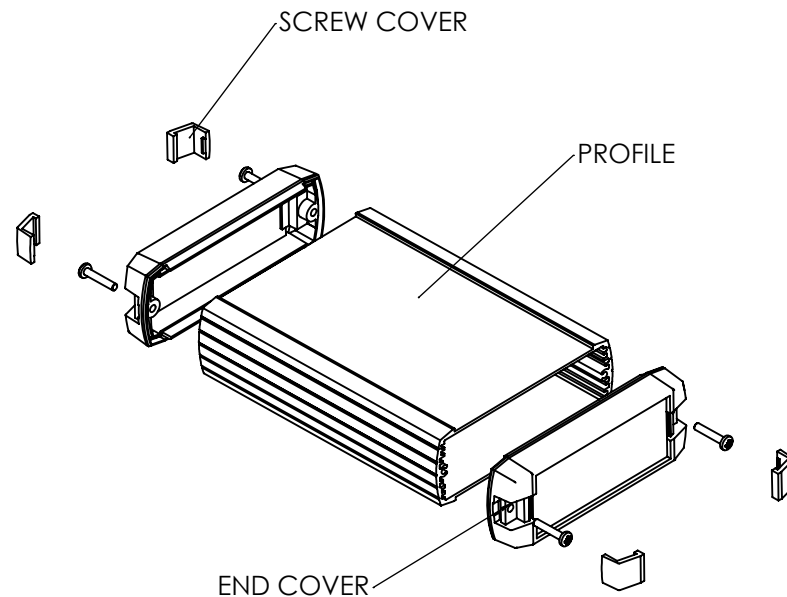
ASSEMBLY



SECTION B-B



ISO VIEW  
1:3



**CAMDENBOSS**  
ELECTRONICS & ENCLOSURES

JAMES CARTER RD, MILDENHALL, SUFFOLK. IP28 7DE  
TEL: 01638 716101 FAX: 01638 716554  
EMAIL: Sales@CamdenBoss.com  
WEB: www.CamdenBoss.com

UNLESS OTHERWISE SPECIFIED:  
DIMENSIONS ARE IN MILLIMETERS

FINISH:  
EPOXY PAINT

MATERIAL:  
ALUMINIUM

DO NOT SCALE DRAWING

REVISION. 0

TITLE:

GNL ASSEMBLY DRG FOR  
55 SERIES

DWG NO.

CEAREPG03

A4

	NAME	SIGNED	DATE
DRAWN	SUBKHANKULOVA	LS	03/03/09
CHKD	-	-	-

PROJECTION.



SCALE: 1 : 2

SHEET 1 OF 1