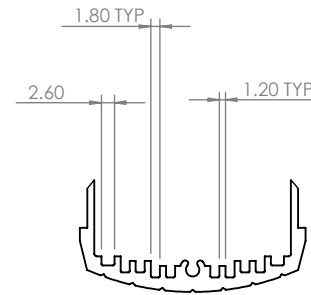
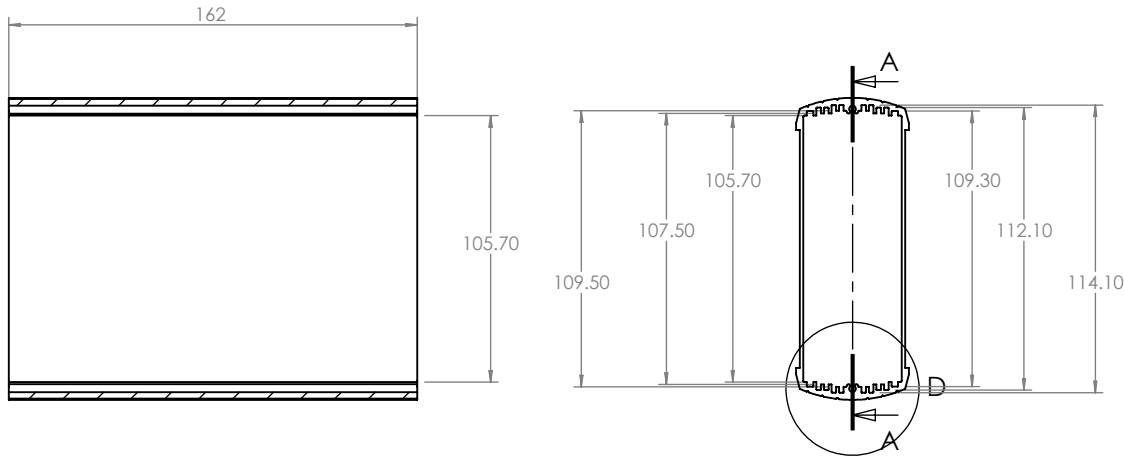
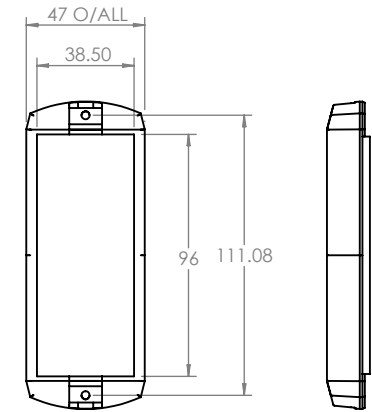


SECTION A-A



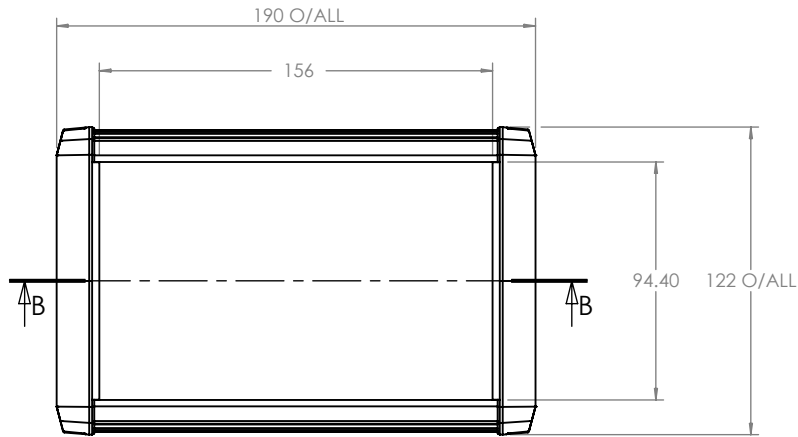
DETAIL D



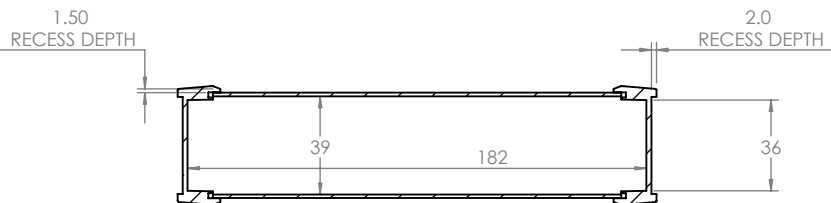
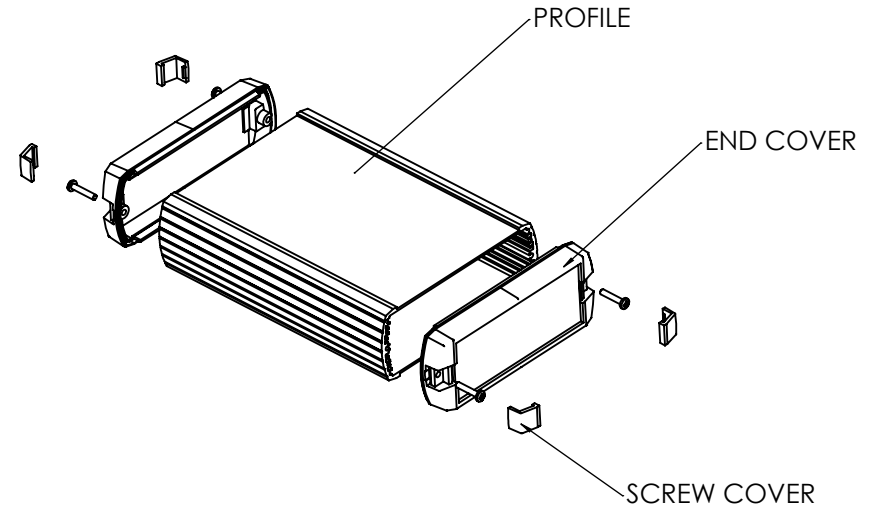
END COVER

PROFILE

ASSEMBLY



ISO VIEW
1:4



SECTION B-B

<p>JAMES CARTER RD, MILDENHALL, SUFFOLK. IP28 7DE TEL: 01638 716101 FAX: 01638 716554 EMAIL: Sales@CamdenBoss.com WEB: www.CamdenBoss.com</p>		UNLESS OTHERWISE SPECIFIED: DIMENSIONS ARE IN MILLIMETERS		DO NOT SCALE DRAWING	REVISION. 0
		FINISH. EPOXY PAINT		TITLE: GNL ASSEMBLY DRG FOR 55 SERIES	
DRAWN	IAN PAGANO	SIGNED	I.P.	DATE	06/08/13
CHKD	-	-	-	-	-
MATERIAL. ALUMINIUM		DWG NO. CEAREPG05		A4	
PROJECTION.				SCALE: 1 : 2	SHEET 1 OF 1