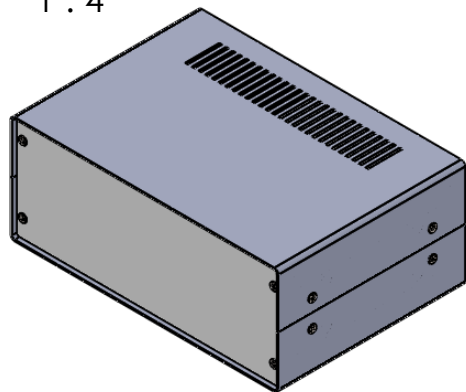


ISO VIEW
1 : 4



CAMDENBOSS
ELECTRONICS & ENCLOSURES
JAMES CARTER RD, MILDENHALL, SUFFOLK. IP28 7DE
TEL: 01638 716101 FAX: 01638 716554
EMAIL: Sales@CamdenBoss.com
WEB: www.CamdenBoss.com

UNLESS OTHERWISE SPECIFIED:
DIMENSIONS ARE IN MILLIMETERS

GENERAL TOLERANCES +/- 0.2

FINISH. SHELL RAL: 9010
FRONT + BACK: SILVER
ANODIZED

MATERIAL. SHELL: STEEL
FRONT + BACK: ALUMINIUM

PROJECTION.

DO NOT SCALE DRAWING

REVISION.

TITLE: DIMENSION DRAWING FOR METAL
CONSOL BOX SIZE 2

DWG NO.

CMCB00002

A4

	NAME	SIGNED	DATE
DRAWN	IAN PAGANO	I.P.	06/03/14
CHKD	-	-	-

SCALE: 1:3

SHEET 1 OF 1