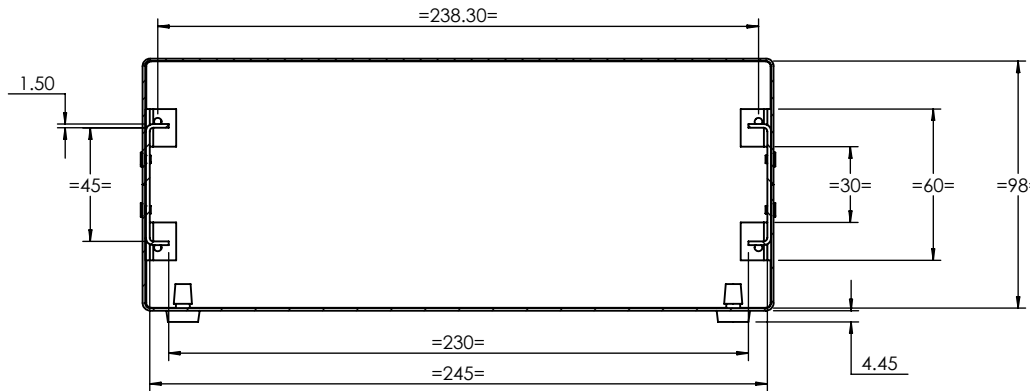
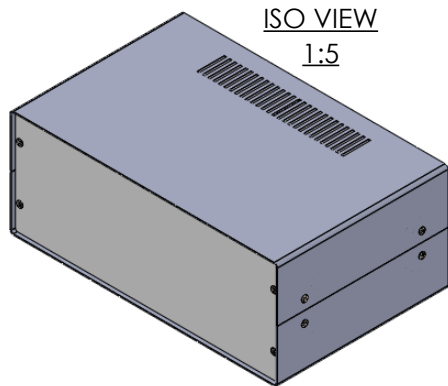


SECTION A-A



SECTION B-B



**CAMDENBOSS**  
ELECTRONICS & ENCLOSURES

JAMES CARTER RD, MILDENHALL, SUFFOLK. IP28 7DE  
TEL: 01638 716101 FAX: 01638 716554  
EMAIL: Sales@CamdenBoss.com  
WEB: www.CamdenBoss.com

UNLESS OTHERWISE SPECIFIED:  
DIMENSIONS ARE IN MILLIMETERS

GENERAL TOLERANCES +/- 0.2

FINISH. SHELL RAL: 9010  
FRONT + BACK: SILVER ANODIZED

MATERIAL. SHELL: STEEL  
FRONT + BACK: ALUMINIUM

PROJECTION.

DO NOT SCALE DRAWING

REVISION.

○

TITLE:

**DIMENSION DRAWING FOR METAL  
CONSOL BOX SIZE 1**

DWG NO.

**CMCB00003**

A4

	NAME	SIGNED	DATE
DRAWN	IAN PAGANO	I.P.	06/03/14
CHKD	-	-	-

SCALE: 1:3



SHEET 1 OF 1

SHEET 1 OF 1