



002 PCB TERMINAL BLOCKS

081 TERMINAL STRIPS

095 WIRE TO BOARD CONNECTORS

100 CIRCULAR CONNECTORS

151 IP68 CONNECTORS

158 INTERFACE MODULES AND RELAY BASES

2.5mm pitch PCB mounting crimp connectors

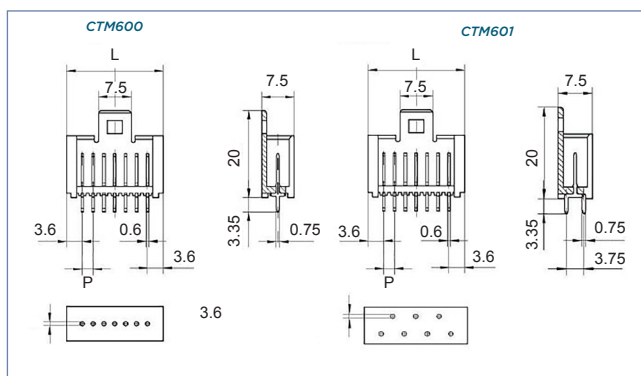
Product overview

- Ideal for installed PCB's in boiler controls, HVAC
- Polarised to avoid mis-mating
- Vertical headers
- 2 to 20 poles
- Staggered pin header available (CTM601)
- Two sizes of crimp contact

SPECIFICATION	
Rating (male connectors)	125V/6A
Working temperature	110°C
Moulding	Grey UL94-V0 flame retardant PA
Contact Male Female	Tinned, nickel plated brass Tinned brass
Wire strip length	4mm

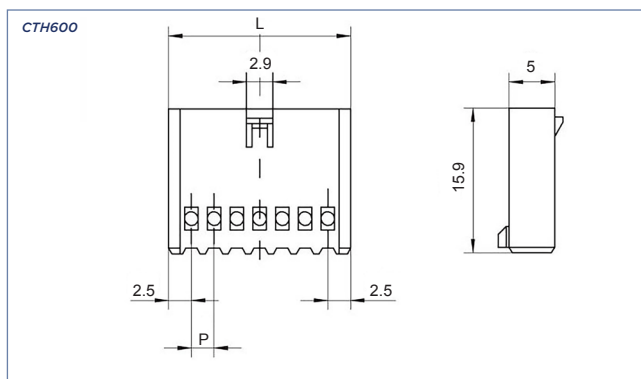
PCB mounting male

PART NO.	POLES	LENGTH	PART	POLES	LENGTH
CTM600/2	2	12.2mm	CTM601/2	2	12.2mm
CTM600/3	3	14.7mm	CTM601/3	3	14.7mm
CTM600/4	4	17.2mm	CTM601/4	4	17.2mm
CTM600/5	5	19.7mm	CTM601/5	5	19.7mm
CTM600/6	6	22.2mm	CTM601/6	6	22.2mm
CTM600/7	7	24.7mm	CTM601/7	7	24.7mm
CTM600/8	8	27.2mm	CTM601/8	8	27.2mm
CTM600/9	9	29.7mm	CTM601/9	9	29.7mm
CTM600/10	10	32.2mm	CTM601/10	10	32.2mm
CTM600/11	11	34.4mm	CTM601/11	11	34.4mm
CTM600/12	12	37.2mm	CTM601/12	12	37.2mm
CTM600/13	13	39.7mm	CTM601/13	13	39.7mm
CTM600/14	14	42.2mm	CTM601/14	14	42.2mm
CTM600/15	15	44.7mm	CTM601/15	15	44.7mm
CTM600/16	16	47.2mm	CTM601/16	16	47.2mm
CTM600/17	17	49.7mm	CTM601/17	17	49.7mm
CTM600/18	18	52.2mm	CTM601/18	18	52.2mm
CTM600/19	19	54.7mm	CTM601/19	19	54.7mm
CTM600/20	20	57.2mm	CTM601/20	20	57.2mm



Female housing

PART NO.	POLES	LENGTH
CTH600/2	2	12.2mm
CTH600/3	3	14.7mm
CTH600/4	4	17.2mm
CTH600/5	5	19.7mm
CTH600/6	6	22.2mm
CTH600/7	7	24.7mm
CTH600/8	8	27.2mm
CTH600/9	9	29.7mm
CTH600/10	10	32.2mm
CTH600/11	11	34.4mm
CTH600/12	12	37.2mm
CTH600/13	13	39.7mm
CTH600/14	14	42.2mm
CTH600/15	15	44.7mm
CTH600/16	16	47.2mm
CTH600/17	17	49.7mm
CTH600/18	18	52.2mm
CTH600/19	19	54.7mm
CTH600/20	20	57.2mm



CONNECT

