

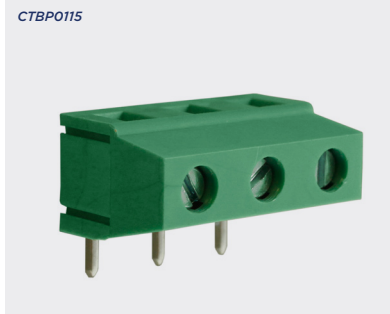
002  
PCB TERMINAL  
BLOCKS081  
TERMINAL STRIPS095  
WIRE TO BOARD  
CONNECTORS100  
CIRCULAR  
CONNECTORS151  
IP68 CONNECTORS158  
INTERFACE  
MODULES AND  
RELAY BASES

# 7.5mm pitch standard profile 90° rising clamp terminal blocks

## Product overview

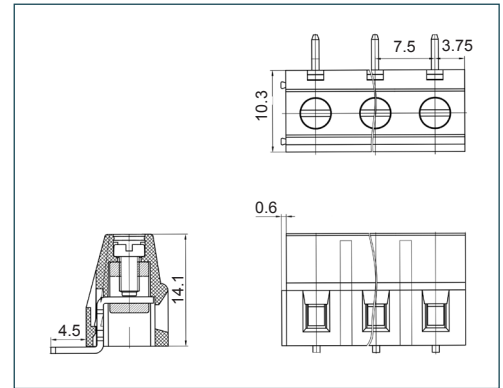
- 2 and 3 pole double interlocking mechanism for increased strength
- Professional rising clamp terminals
- Standard profile 90° mounting
- Moulded in green UL94-V0 flame retardant PA66
- Cable acceptance - 0.6-2mm<sup>2</sup> (22-12AWG)
- Guided pin alignment
- approved

CTBP0115



SPECIFICATION	
Rating	UL=16A/250V, VDE=24A/250V
Insulation resistance	500MΩ/500V
Withstand voltage	AC2000V/1min
Contact resistance	20mΩ (max)
Working temperature	-40°C to +105°C
Moulding	UL94-V0 flame retardant PA66
Pin/terminal	Tin plated brass
Wire protector	Phosphor bronze, nickel plated
Screw/torque	M2.5 Steel, zinc plated 0.4Nm
Recommended PCB hole size	ø1.5mm

PART NO.	POLES	LENGTH
CTBP0115/2	2	15mm
CTBP0115/3	3	22.5mm
CTBP0115/4	4	30mm
CTBP0115/5	5	37.5mm
CTBP0115/6	6	45mm
CTBP0115/7	7	52.5mm
CTBP0115/8	8	60mm
CTBP0115/9	9	67.5mm
CTBP0115/10	10	75mm
CTBP0115/11	11	82.5mm
CTBP0115/12	12	90mm



## KEY FEATURES

90 Degree orientation | Double interlock mechanism | Professional rising clamp

