



002

PCB TERMINAL
BLOCKS

081

TERMINAL STRIPS

095

WIRE TO BOARD
CONNECTORS

100

CIRCULAR
CONNECTORS

151

IP68 CONNECTORS

158

INTERFACE
MODULES AND
RELAY BASES

5mm pitch pluggable rising clamp terminal blocks

Product overview

- 2-12 pole solid block
- Professional rising clamp terminals
- Moulded in green UL94-V0 flame retardant PA66
- Cable acceptance - 0.32 to 1.6mm² (28-14AWG) solid and stranded cable
- Pluggable male and female connectors
- Open and closed headers
- Horizontal and vertical female plug styles
- Polarised mouldings
- Anti solder wicking
- Captive screws and guided pin alignment
- approved

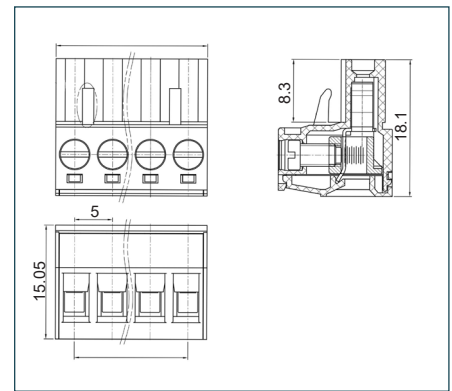
SPECIFICATION

| | |
|---------------------------|------------------------------|
| Rating | UL=15A/300V, VDE=20A/450V |
| Insulation resistance | 500M Ω /500V |
| Withstand voltage | AC2000V/1min |
| Contact resistance | 20m Ω (max) |
| Working temperature | -40°C to +105°C |
| Moulding | UL94-V0 flame retardant PA66 |
| Pin/terminal | Tin plated brass |
| Rising clamp | Brass, nickel plated |
| Screw/torque | M3 steel, zinc plated 0.5Nm |
| Recommended PCB hole size | ϕ 1.7mm |

Female connector

| PART NO. | POLES | LENGTH |
|-------------|-------|--------|
| CTBP9200/2 | 2 | 10mm |
| CTBP9200/3 | 3 | 15mm |
| CTBP9200/4 | 4 | 20mm |
| CTBP9200/5 | 5 | 25mm |
| CTBP9200/6 | 6 | 30mm |
| CTBP9200/7 | 7 | 35mm |
| CTBP9200/8 | 8 | 40mm |
| CTBP9200/9 | 9 | 45mm |
| CTBP9200/10 | 10 | 50mm |
| CTBP9200/11 | 11 | 55mm |
| CTBP9200/12 | 12 | 60mm |

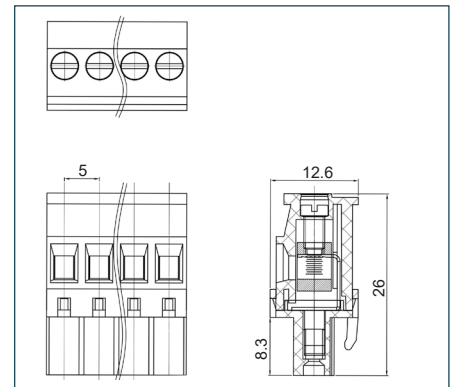
CTBP9200



Female vertical connector (standard)

| PART NO. | POLES | LENGTH |
|--------------|-------|--------|
| CTBP92VG/2S | 2 | 10mm |
| CTBP92VG/3S | 3 | 15mm |
| CTBP92VG/4S | 4 | 20mm |
| CTBP92VG/5S | 5 | 25mm |
| CTBP92VG/6S | 6 | 30mm |
| CTBP92VG/7S | 7 | 35mm |
| CTBP92VG/8S | 8 | 40mm |
| CTBP92VG/9S | 9 | 45mm |
| CTBP92VG/10S | 10 | 50mm |
| CTBP92VG/11S | 11 | 55mm |
| CTBP92VG/12S | 12 | 60mm |

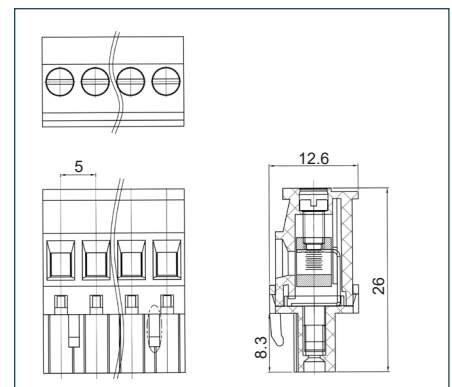
CTBP92VG S



Female connector (reversed)

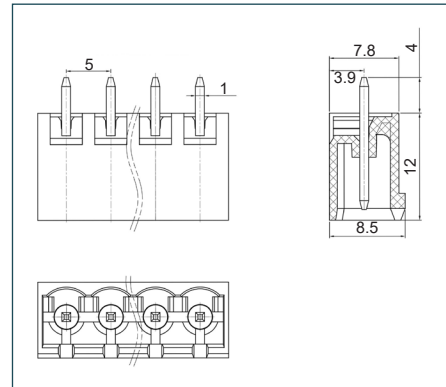
| PART NO. | POLES | LENGTH |
|--------------|-------|--------|
| CTBP92VG/2R | 2 | 10mm |
| CTBP92VG/3R | 3 | 15mm |
| CTBP92VG/4R | 4 | 20mm |
| CTBP92VG/5R | 5 | 25mm |
| CTBP92VG/6R | 6 | 30mm |
| CTBP92VG/7R | 7 | 35mm |
| CTBP92VG/8R | 8 | 40mm |
| CTBP92VG/9R | 9 | 45mm |
| CTBP92VG/10R | 10 | 50mm |
| CTBP92VG/11R | 11 | 55mm |
| CTBP92VG/12R | 12 | 60mm |

CTBP92VG R



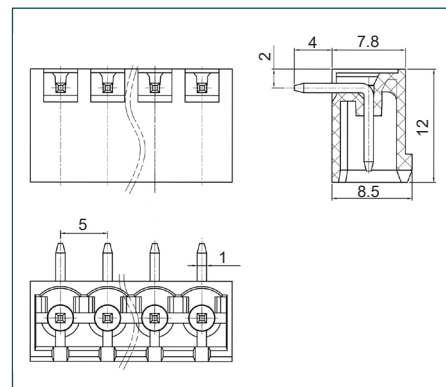
PCB mounting male vertical connector (closed ended)

| PART NO. | POLES | LENGTH |
|-------------|-------|--------|
| CTBP9300/2 | 2 | 11.4mm |
| CTBP9300/3 | 3 | 16.4mm |
| CTBP9300/4 | 4 | 21.4mm |
| CTBP9300/5 | 5 | 26.4mm |
| CTBP9300/6 | 6 | 31.4mm |
| CTBP9300/7 | 7 | 36.4mm |
| CTBP9300/8 | 8 | 41.4mm |
| CTBP9300/9 | 9 | 46.4mm |
| CTBP9300/10 | 10 | 51.4mm |
| CTBP9300/11 | 11 | 56.4mm |
| CTBP9300/12 | 12 | 61.4mm |



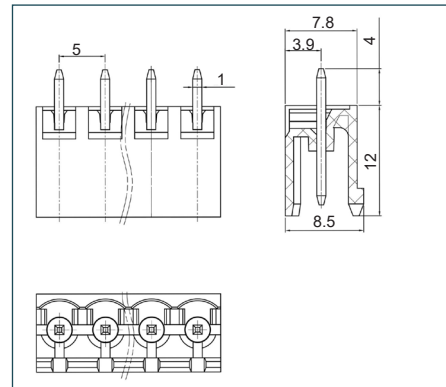
PCB mounting male horizontal connector (closed ended)

| PART NO. | POLES | LENGTH |
|-------------|-------|--------|
| CTBP9350/2 | 2 | 11.4mm |
| CTBP9350/3 | 3 | 16.4mm |
| CTBP9350/4 | 4 | 21.4mm |
| CTBP9350/5 | 5 | 26.4mm |
| CTBP9350/6 | 6 | 31.4mm |
| CTBP9350/7 | 7 | 36.4mm |
| CTBP9350/8 | 8 | 41.4mm |
| CTBP9350/9 | 9 | 46.4mm |
| CTBP9350/10 | 10 | 51.4mm |
| CTBP9350/11 | 11 | 56.4mm |
| CTBP9350/12 | 12 | 61.4mm |



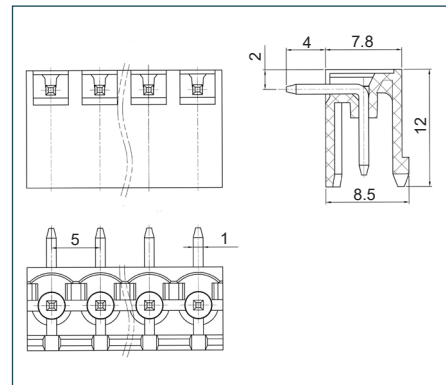
PCB mounting male vertical connector (open ended)

| PART NO. | POLES | LENGTH |
|---------------|-------|--------|
| CTBP9300/2AO | 2 | 10mm |
| CTBP9300/3AO | 3 | 15mm |
| CTBP9300/4AO | 4 | 20mm |
| CTBP9300/5AO | 5 | 25mm |
| CTBP9300/6AO | 6 | 30mm |
| CTBP9300/7AO | 7 | 35mm |
| CTBP9300/8AO | 8 | 40mm |
| CTBP9300/9AO | 9 | 45mm |
| CTBP9300/10AO | 10 | 50mm |
| CTBP9300/11AO | 11 | 55mm |
| CTBP9300/12AO | 12 | 60mm |



PCB mounting male horizontal connector (open ended)

| PART NO. | POLES | LENGTH |
|---------------|-------|--------|
| CTBP9350/2AO | 2 | 10mm |
| CTBP9350/3AO | 3 | 15mm |
| CTBP9350/4AO | 4 | 20mm |
| CTBP9350/5AO | 5 | 25mm |
| CTBP9350/6AO | 6 | 30mm |
| CTBP9350/7AO | 7 | 35mm |
| CTBP9350/8AO | 8 | 40mm |
| CTBP9350/9AO | 9 | 45mm |
| CTBP9350/10AO | 10 | 50mm |
| CTBP9350/11AO | 11 | 55mm |
| CTBP9350/12AO | 12 | 60mm |



081

TERMINAL STRIPS

095

WIRE TO BOARD CONNECTORS

100

CIRCULAR CONNECTORS

151

IP68 CONNECTORS

158

INTERFACE MODULES AND RELAY BASES