

002
PCB TERMINAL
BLOCKS081
TERMINAL STRIPS095
WIRE TO BOARD
CONNECTORS100
CIRCULAR
CONNECTORS151
IP68 CONNECTORS158
INTERFACE
MODULES AND
RELAY BASES

3.81mm pitch pluggable rising clamp terminal blocks

Product overview

- 2-12 pole solid block
- Professional rising clamp terminals
- Moulded in green UL94-V0 flame retardant PA66
- Cable acceptance - 0.32 to 1.3mm² (28-16AWG) solid and stranded cable
- Pluggable male and female connectors
- Closed headers
- Horizontal and vertical female plug styles
- Polarised mouldings
- Anti solder wicking
- Captive screws and guided pin alignment
- approved

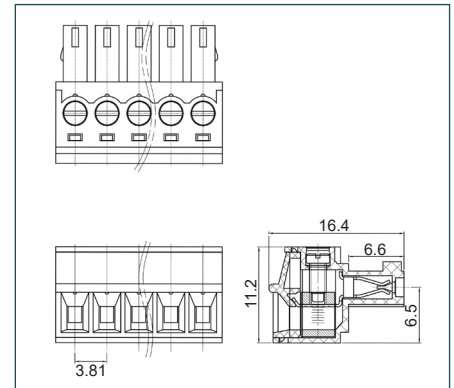
SPECIFICATION

| | |
|---------------------------|------------------------------|
| Rating | UL=8A/300V, VDE=10A/250V |
| Insulation resistance | 500M Ω /500V |
| Withstand voltage | AC2000V/1min |
| Contact resistance | 20m Ω (max) |
| Working temperature | -40°C to +105°C |
| Moulding | UL94-V0 flame retardant PA66 |
| Pin/terminal | Tin plated brass |
| Rising clamp | Brass, nickel plated |
| Screw/torque | M2 steel, zinc plated 0.2Nm |
| Recommended PCB hole size | ϕ 1.4mm |

Female connector

| PART NO. | POLES | LENGTH |
|----------|-------|--------|
|----------|-------|--------|

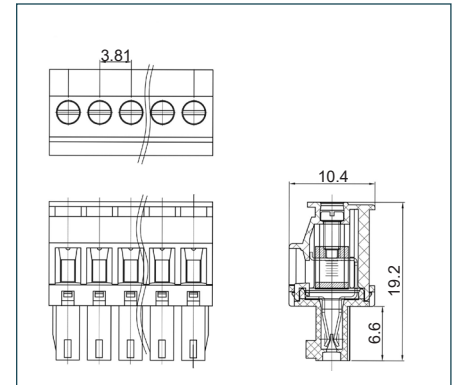
CTBP92HE



Female vertical connector (standard)

| PART NO. | POLES | LENGTH |
|--------------|-------|--------|
| CTBP92VE/2S | 2 | 8.4mm |
| CTBP92VE/3S | 3 | 12.2mm |
| CTBP92VE/4S | 4 | 16mm |
| CTBP92VE/5S | 5 | 19.8mm |
| CTBP92VE/6S | 6 | 23.7mm |
| CTBP92VE/7S | 7 | 27.5mm |
| CTBP92VE/8S | 8 | 31.3mm |
| CTBP92VE/9S | 9 | 35.1mm |
| CTBP92VE/10S | 10 | 38.9mm |
| CTBP92VE/11S | 11 | 42.7mm |
| CTBP92VE/12S | 12 | 46.5mm |

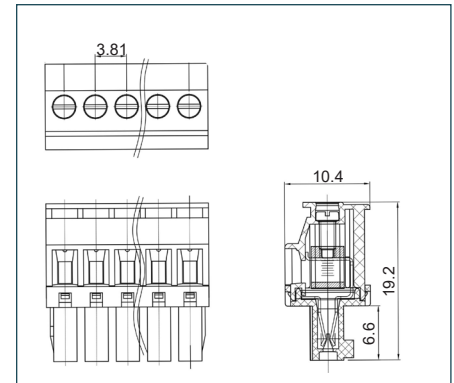
CTBP92VE S



Female vertical connector (reversed)

| PART NO. | POLES | LENGTH |
|--------------|-------|--------|
| CTBP92VE/2R | 2 | 8.4mm |
| CTBP92VE/3R | 3 | 12.2mm |
| CTBP92VE/4R | 4 | 16mm |
| CTBP92VE/5R | 5 | 19.8mm |
| CTBP92VE/6R | 6 | 23.7mm |
| CTBP92VE/7R | 7 | 27.5mm |
| CTBP92VE/8R | 8 | 31.3mm |
| CTBP92VE/9R | 9 | 35.1mm |
| CTBP92VE/10R | 10 | 38.9mm |
| CTBP92VE/11R | 11 | 42.7mm |
| CTBP92VE/12R | 12 | 46.5mm |

CTBP92VE R

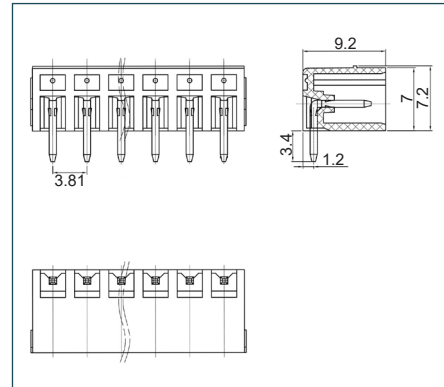




PCB mounting male horizontal connector (closed ended)

| PART NO. | POLES | LENGTH |
|-------------|-------|--------|
| CTBP93HE/2 | 2 | 8.4mm |
| CTBP93HE/3 | 3 | 12.2mm |
| CTBP93HE/4 | 4 | 16.0mm |
| CTBP93HE/5 | 5 | 19.8mm |
| CTBP93HE/6 | 6 | 23.7mm |
| CTBP93HE/7 | 7 | 27.5mm |
| CTBP93HE/8 | 8 | 31.3mm |
| CTBP93HE/9 | 9 | 35.1mm |
| CTBP93HE/10 | 10 | 38.9mm |
| CTBP93HE/11 | 11 | 42.7mm |
| CTBP93HE/12 | 12 | 46.5mm |

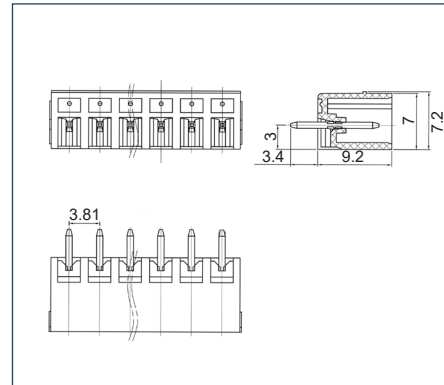
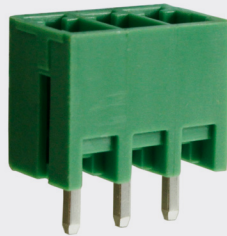
CTBP93HE



PCB mounting male vertical connector (closed ended)

| PART NO. | POLES | LENGTH |
|-------------|-------|--------|
| CTBP93VE/2 | 2 | 8.4mm |
| CTBP93VE/3 | 3 | 12.2mm |
| CTBP93VE/4 | 4 | 16.0mm |
| CTBP93VE/5 | 5 | 19.8mm |
| CTBP93VE/6 | 6 | 23.7mm |
| CTBP93VE/7 | 7 | 27.5mm |
| CTBP93VE/8 | 8 | 31.3mm |
| CTBP93VE/9 | 9 | 35.1mm |
| CTBP93VE/10 | 10 | 38.9mm |
| CTBP93VE/11 | 11 | 42.7mm |
| CTBP93VE/12 | 12 | 46.5mm |

CTBP93VE



ASSOCIATED PRODUCTS

CTB92HE, CTB92VE S and CTBP92VE R can be replaced with a screwless type terminal block for a reduced assembly time.

CSTBP92HE - page 78