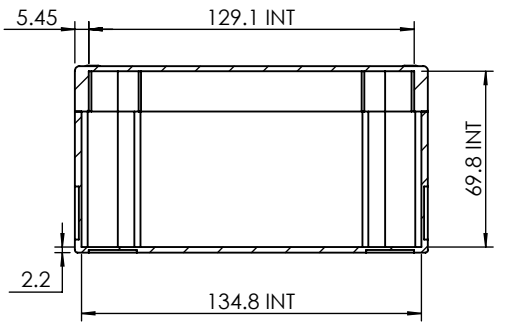
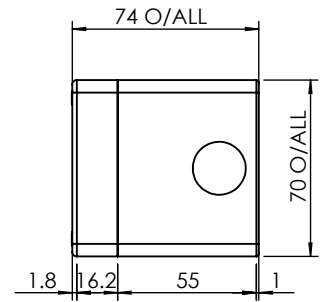
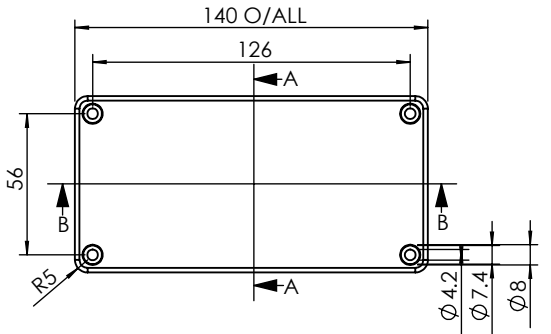
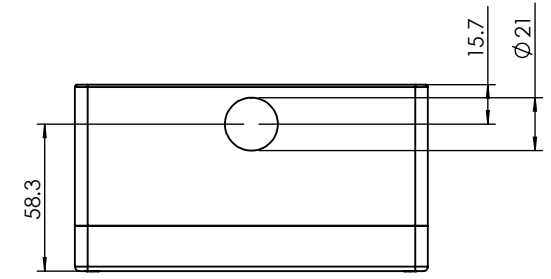
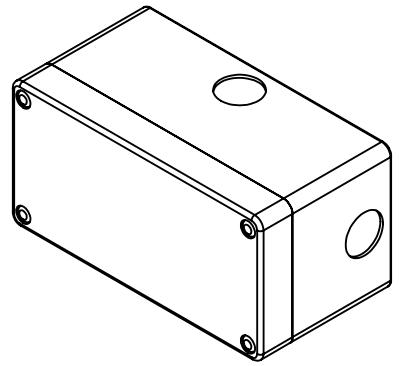


SECTION A-A
Cut-out Dimensions



SECTION B-B

ISO VIEW
1:3



			UNLESS OTHERWISE SPECIFIED: DIMENSIONS ARE IN MILLIMETERS		DO NOT SCALE DRAWING	REVISION. <input type="checkbox"/>
			GENERAL TOLERANCES +/- 0.2		TITLE: GENERAL DIMENSION DRAWING FOR STANDARD CONTROL STATION ENCLOSURE	
JAMES CARTER RD, MILDENHALL, SUFFOLK. IP28 7DE TEL: 01638 716101 FAX: 01638 716554 EMAIL: Sales@CamdenBoss.com WEB: www.CamdenBoss.com			FINISH. FINE TEXTURE		DWG NO. CCS08GY00	A4
DRAWN	LEWIS LETCHFORD	L.L.	11/04/2014	MATERIAL. ABS	SCALE. 1:3	SHEET 1 OF 1
CHKD	-	-	-	PROJECTION.		