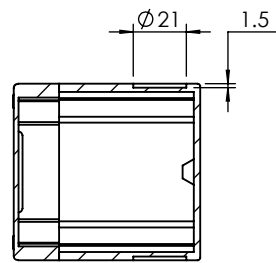
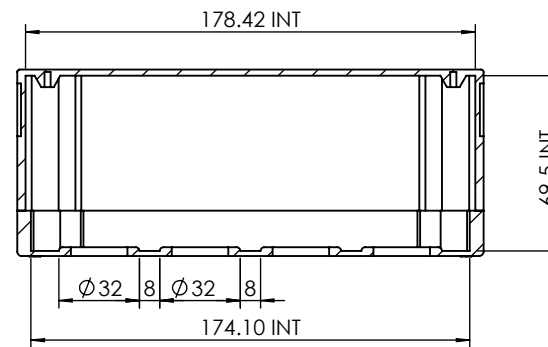
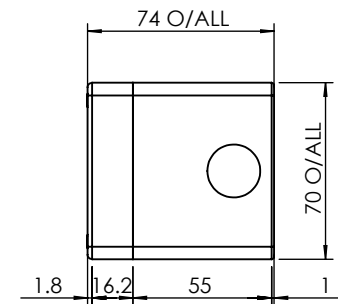
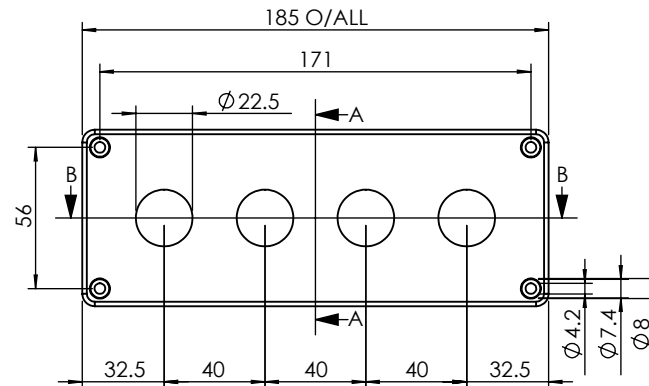
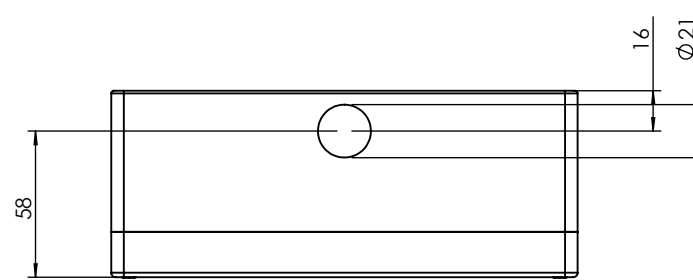


ISO VIEW
1:2



SECTION A-A



SECTION B-B

CAMDENBOSS
ELECTRONICS & ENCLOSURES
JAMES CARTER RD, MILDENHALL, SUFFOLK. IP28 7DE
TEL: 01638 716101 FAX: 01638 716554
EMAIL: Sales@CamdenBoss.com
WEB: www.CamdenBoss.com

UNLESS OTHERWISE SPECIFIED:
DIMENSIONS ARE IN MILLIMETERS

GENERAL TOLERANCES +/- 0.2

FINISH: FINE TEXTURE

MATERIAL: ABS

PROJECTION:

DO NOT SCALE DRAWING

REVISION:

TITLE: GENERAL DIMENSION DRAWING
FOR FOUR BUTTON CONTROL
STATION

DWG NO.

CCS10GY04

A4

	NAME	SIGNED	DATE
DRAWN	LEWIS LETCHFORD	LL	14/04/2014
CHKD	-	-	-

SCALE: 1:3

SHEET 1 OF 1