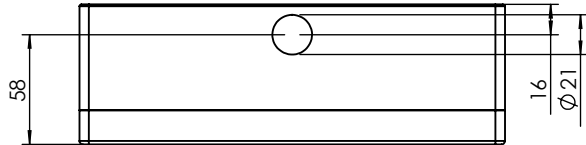


1 2 3 4 5 6

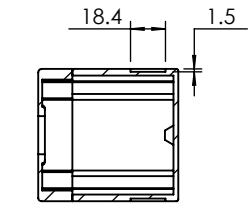
A

A

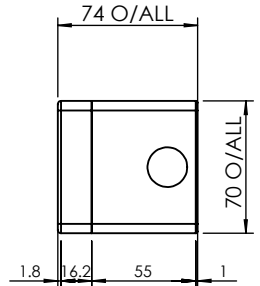
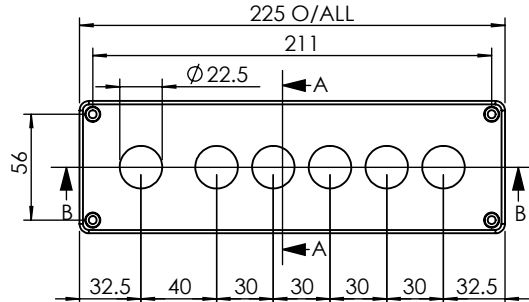


B

B

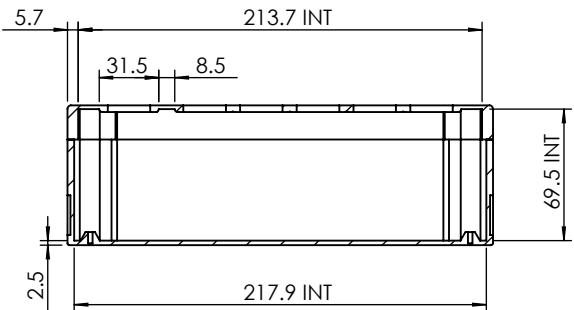


SECTION A-A
Cut-out Dimensions



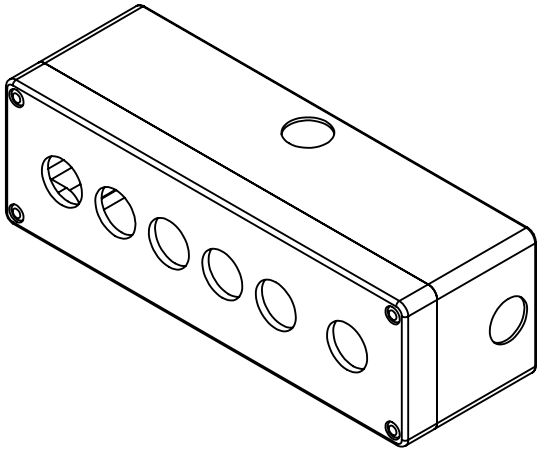
C

C



SECTION B-B

ISO VIEW
1:3



D

D

| | | | | | | | |
|---|-----------------|--------|--|------|---|---------------|------------|
| | | | UNLESS OTHERWISE SPECIFIED: DIMENSIONS ARE IN MILLIMETERS | | DO NOT SCALE DRAWING | REVISION: ○ | |
| | | | GENERAL TOLERANCES +/- 0.2 | | TITLE: GENERAL DIMENSION DRAWING FOR SIX BUTTON CONTROL STATION | | |
| JAMES CARTER RD, MILDENHALL, SUFFOLK. IP28 7DE TEL: 01638 716101 FAX: 01638 716554 EMAIL: Sales@CamdenBoss.com WEB: www.CamdenBoss.com | | | FINISH: FINE TEXTURE | | DWG NO. CCS11GY06 | A4 | |
| DRAWN | LEWIS LETCHFORD | SIGNED | LL | DATE | 14/04/2014 | MATERIAL: ABS | |
| CHK'D | - | - | - | - | - | PROJECTION: | SCALE: 1:4 |
| | | | | | | SHEET 1 OF 1 | |

1 2 3