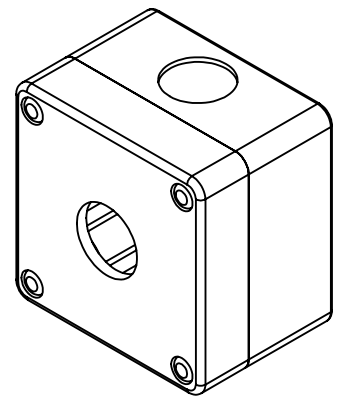


ISO VIEW
1:2



			UNLESS OTHERWISE SPECIFIED: DIMENSIONS ARE IN MILLIMETERS		DO NOT SCALE DRAWING		REVISION. <input type="checkbox"/>	
			GENERAL TOLERANCES +/- 0.2		TITLE: GENERAL DIMENSION DRAWING FOR SINGLE BUTTON CONTROL STATION			
JAMES CARTER RD, MILDENHALL, SUFFOLK. IP28 7DE TEL: 01638 716101 FAX: 01638 716554 EMAIL: Sales@CamdenBoss.com WEB: www.CamdenBoss.com			FINISH. FINE TEXTURE		DWG NO. CCS00GY01		A4	
NAME	SIGNED	DATE	MATERIAL. ABS		SCALE. 1:2		SHEET 1 OF 1	
DRAWN	LEWIS LETCHFORD	LL	14/04/2014	PROJECTION.				
CHKD	-	-	-					