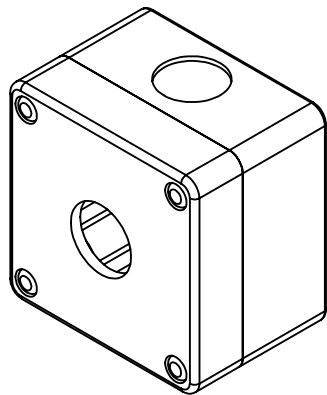
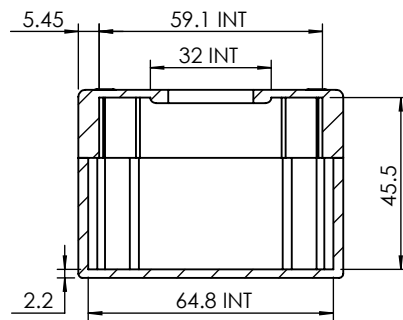
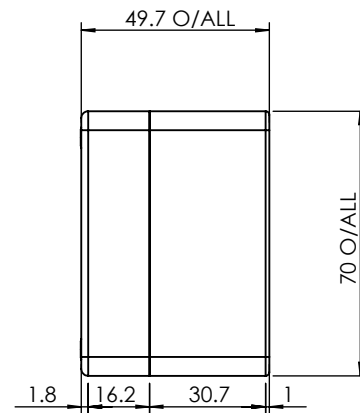
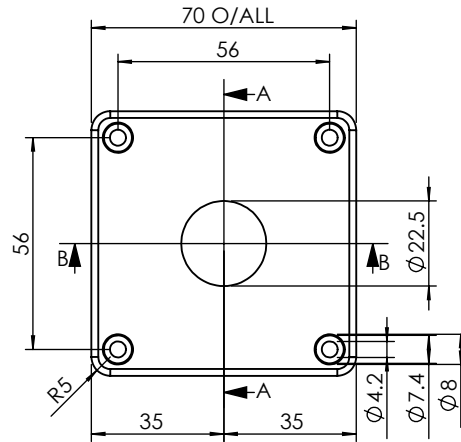
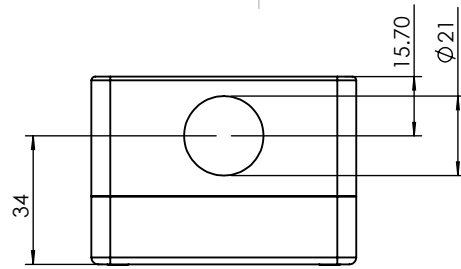


ISO VIEW  
1:2



SECTION A-A  
Cut-out Dimensions



SECTION B-B

**CAMDENBOSS**  
ELECTRONICS & ENCLOSURES

JAMES CARTER RD, MILDENHALL, SUFFOLK. IP28 7DE  
TEL: 01638 716101 FAX: 01638 716554  
EMAIL: Sales@CamdenBoss.com  
WEB: www.CamdenBoss.com

UNLESS OTHERWISE SPECIFIED:  
DIMENSIONS ARE IN MILLIMETERS

GENERAL TOLERANCES +/- 0.2

FINISH. FINE TEXTURE

MATERIAL. ABS

PROJECTION.

DO NOT SCALE DRAWING

REVISION.

TITLE: GENERAL DIMENSION DRAWING  
FOR SINGLE BUTTON CONTROL  
STATION YELLOW LID

DWG NO.

CCS00YW01

A4

	NAME	SIGNED	DATE
DRAWN	LEWIS LETCHFORD	LL	14/04/2014
CHKD	-	-	-

NAME	SIGNED	DATE
LEWIS LETCHFORD	LL	14/04/2014
-	-	-

NAME	SIGNED	DATE
LEWIS LETCHFORD	LL	14/04/2014
-	-	-

SCALE. 1:2

SHEET 1 OF 1