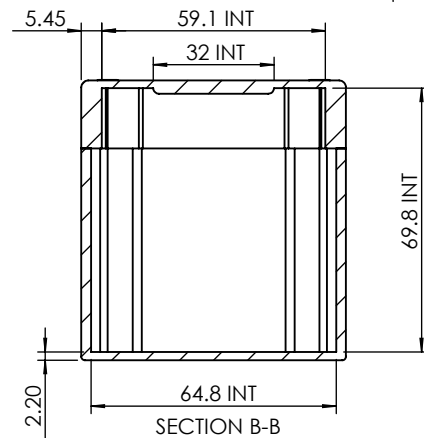
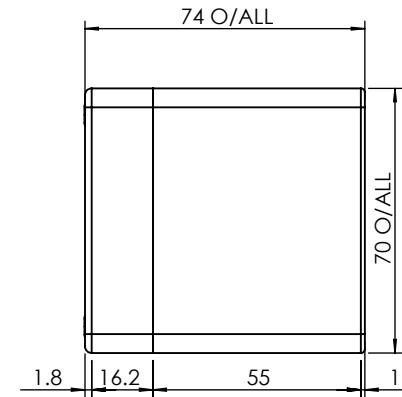
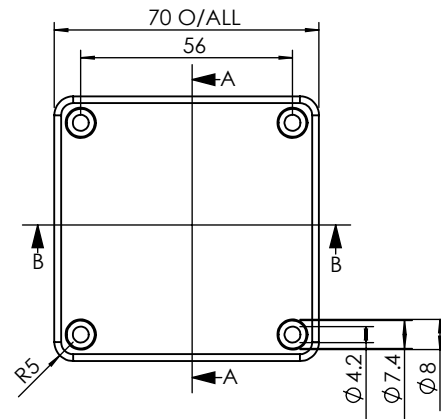
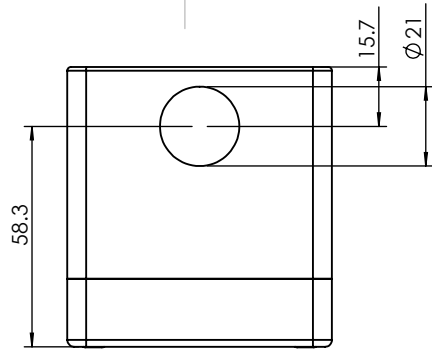


SECTION A-A  
Cut-out Dimensions



**CAMDENBOSS**  
ELECTRONICS & ENCLOSURES

JAMES CARTER RD, MILDENHALL, SUFFOLK. IP28 7DE  
TEL: 01638 716101 FAX: 01638 716554  
EMAIL: Sales@CamdenBoss.com  
WEB: www.CamdenBoss.com

UNLESS OTHERWISE SPECIFIED:  
DIMENSIONS ARE IN MILLIMETERS

GENERAL TOLERANCES +/- 0.2

FINISH. FINE TEXTURE

MATERIAL. ABS

PROJECTION.

DO NOT SCALE DRAWING

REVISION.

TITLE: GENERAL DIMENSIONS DRAWING  
FOR STANDARD CONTROL  
STATION ENCLOSURE

DWG NO.

CCS03GY00

A4

SCALE: 1:2

SHEET 1 OF 1

ISO VIEW  
1:2

