

1 2 3 4 5 6

A

A

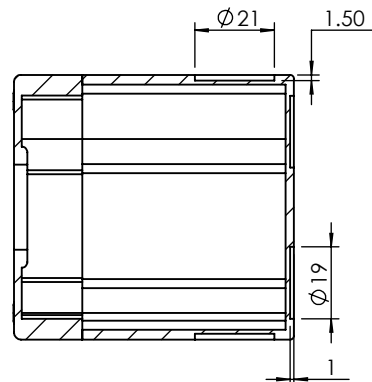
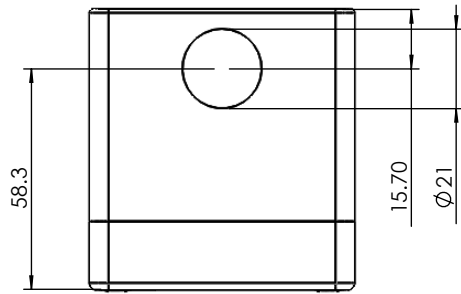
B

B

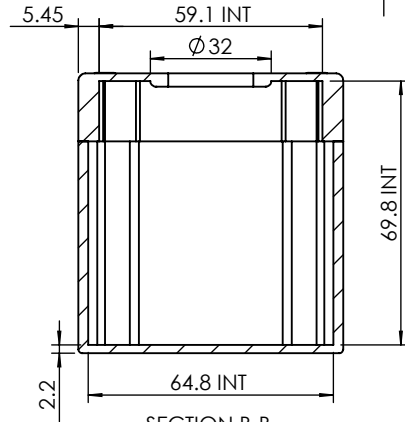
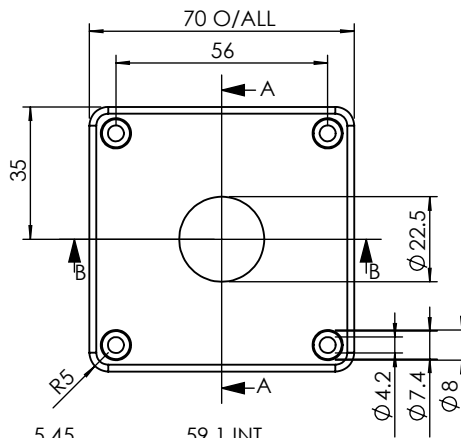
C

C

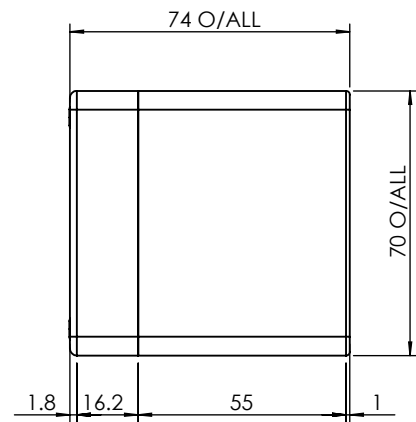
D



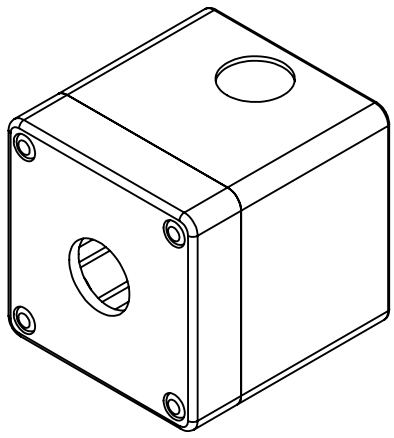
SECTION A-A
Cut-out Dimensions



SECTION B-B



ISO VIEW
1:2



			UNLESS OTHERWISE SPECIFIED: DIMENSIONS ARE IN MILLIMETERS		DO NOT SCALE DRAWING	REVISION. <input type="checkbox"/>
			GENERAL TOLERANCES +/- 0.2		TITLE: GENERAL DIMENSION DRAWING FOR SINGLE BUTTON CONTROL STATION YELLOW LID	
JAMES CARTER RD, MILDENHALL, SUFFOLK. IP28 7DE TEL: 01638 716101 FAX: 01638 716554 EMAIL: Sales@CamdenBoss.com WEB: www.CamdenBoss.com			FINISH. FINE TEXTURE		DWG NO. CCS03YW01	A4
NAME	SIGNED	DATE	MATERIAL.	SCALE. 1:2		
DRAWN LEWIS LETCHFORD	L.L.	14/04/2014	ABS	SHEET 1 OF 1		
CHKD -	-	-	PROJECTION.			

1 2 3