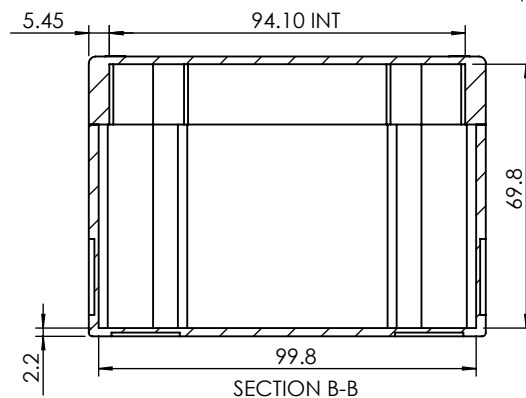
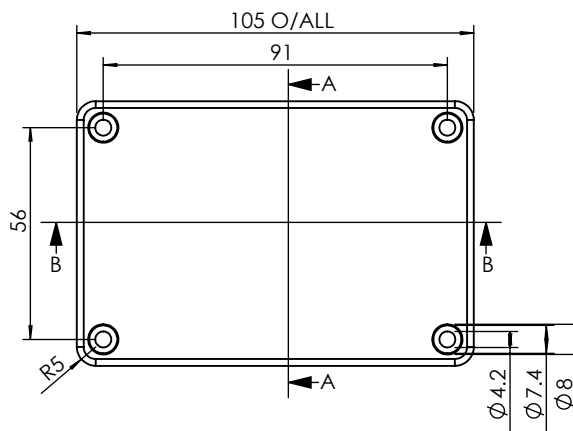
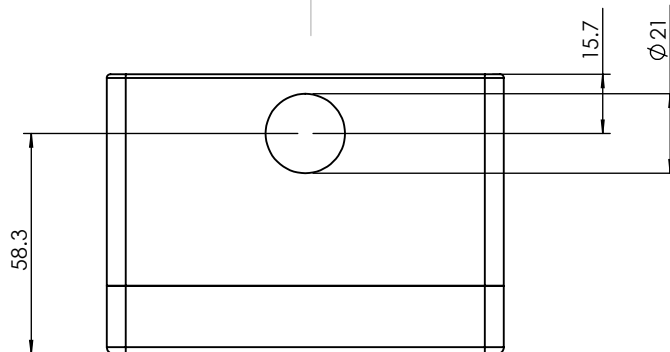
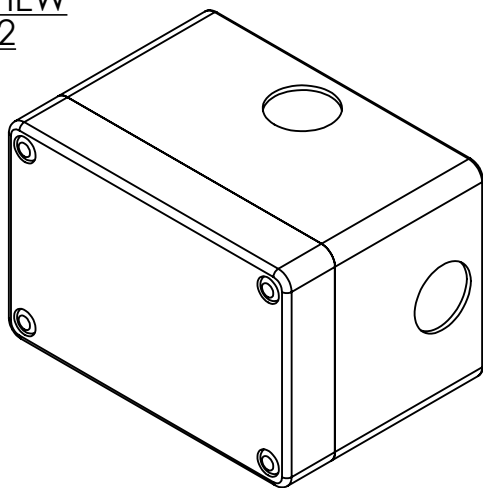
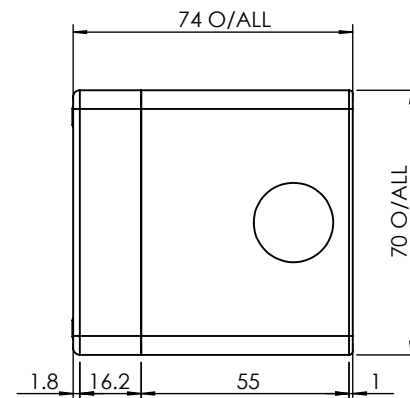


SECTION A-A
Cut-out Dimensions

ISO VIEW
1:2



SECTION B-B



CAMDENBOSS
ELECTRONICS & ENCLOSURES
JAMES CARTER RD, MILDENHALL, SUFFOLK. IP28 7DE
TEL: 01638 716101 FAX: 01638 716554
EMAIL: Sales@CamdenBoss.com
WEB: www.CamdenBoss.com

UNLESS OTHERWISE SPECIFIED:
DIMENSIONS ARE IN MILLIMETERS

GENERAL TOLERANCES +/- 0.2

FINISH: FINE TEXTURE

MATERIAL: ABS

PROJECTION:

DO NOT SCALE DRAWING

REVISION:

TITLE: GENERAL DIMENSION DRAWING
FOR STANDARD CONTROL
STATION ENCLOSURES

DWG NO.

CCS06GY00

A4

SCALE: 1:2

SHEET 1 OF 1

	NAME	SIGNED	DATE
DRAWN	LEWIS LETCHFORD	LL	11/04/2014
CHK'D	-	-	-