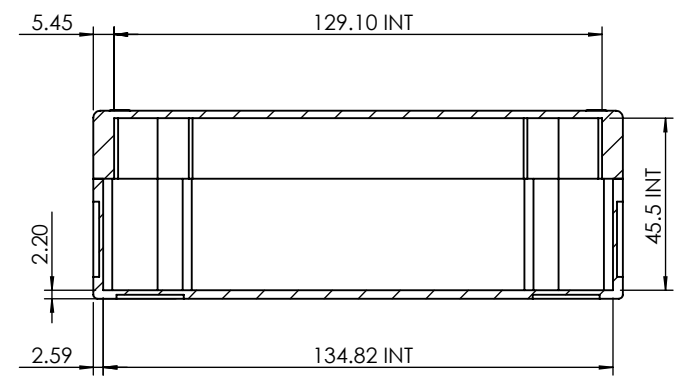
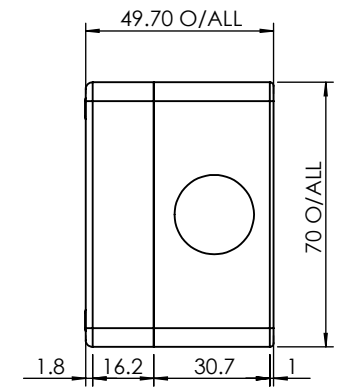
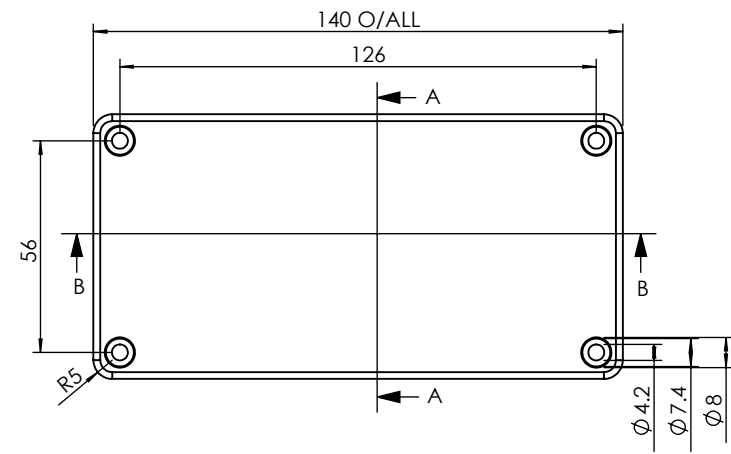
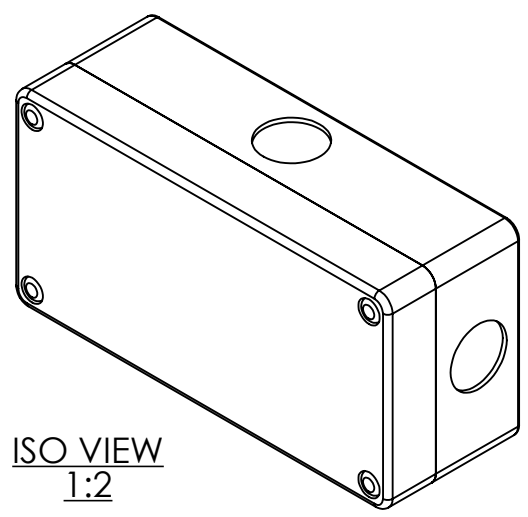


SECTION A-A
Cut-out Dimensions



SECTION B-B



ISO VIEW
1:2

			UNLESS OTHERWISE SPECIFIED: DIMENSIONS ARE IN MILLIMETERS		DO NOT SCALE DRAWING	REVISION. <input type="checkbox"/>
			GENERAL TOLERANCES +/- 0.2		TITLE: GENERAL DIMENSION DRAWING FOR STANDARD CONTROL STATION ENCLOSURE	
JAMES CARTER RD, MILDENHALL, SUFFOLK. IP28 7DE TEL: 01638 716101 FAX: 01638 716554 EMAIL: Sales@CamdenBoss.com WEB: www.CamdenBoss.com			FINISH. FINE TEXTURE		DWG NO. CCS07GY00	A4
NAME	SIGNED	DATE	MATERIAL. ABS	SCALE. 1:2		SHEET 1 OF 1
DRAWN LEWIS LETCHFORD	LL	11/04/2014	PROJECTION.			
CHK'D -	-	-				