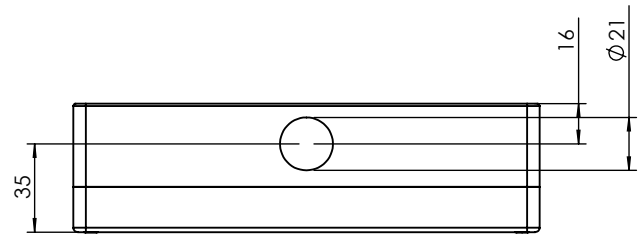


1 2 3 4 5 6

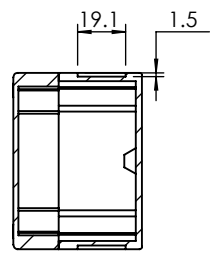
A

A

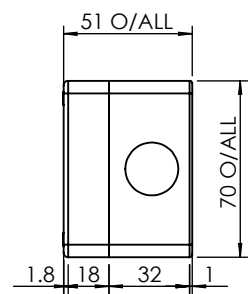
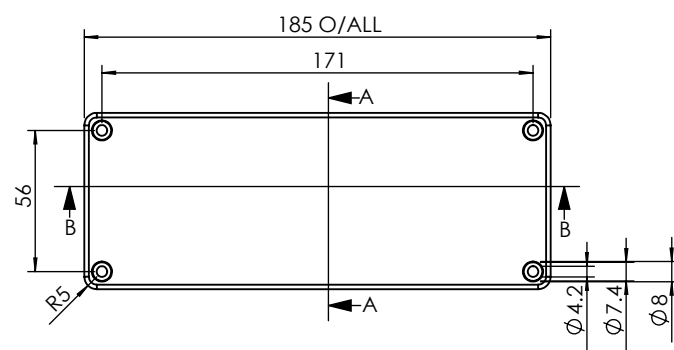


B

B

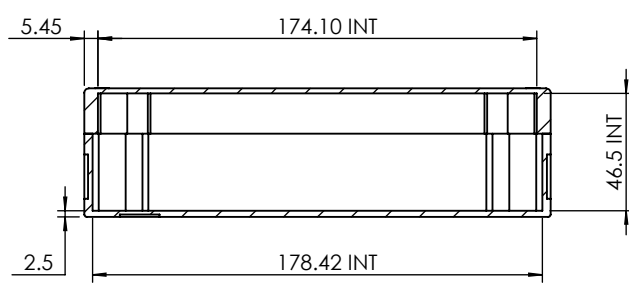


SECTION A-A  
Cut-out Dimensions

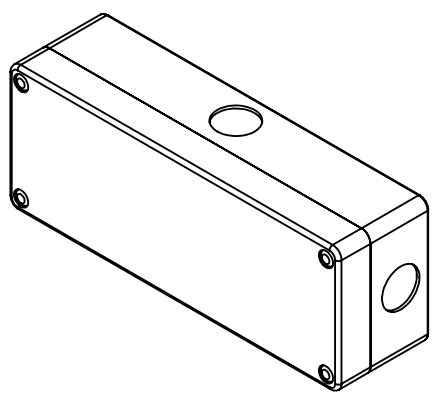


C

C



ISO VIEW  
1:3



SECTION B-B

 JAMES CARTER RD, MILDENHALL, SUFFOLK. IP28 7DE TEL: 01638 716101 FAX: 01638 716554 EMAIL: Sales@CamdenBoss.com WEB: www.CamdenBoss.com			UNLESS OTHERWISE SPECIFIED: DIMENSIONS ARE IN MILLIMETERS		DO NOT SCALE DRAWING		REVISION. <input type="checkbox"/>	
			GENERAL TOLERANCES +/- 0.2		TITLE: GENERAL DIMENSION DRAWING FOR STANDARD CONTROL STATION ENCLOSURE			
DRAWN			MATERIAL.		DWG NO.		A4	
LEWIS LETCHFORD			ABS		CCS09GY00			
CHKD			PROJECTION.		SCALE: 1:3		SHEET 1 OF 1	
-			-		-			

1 2 3