



5.08mm pitch pluggable rising clamp terminal blocks with screw flanges

Product overview

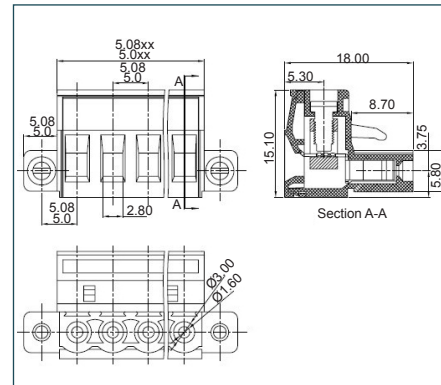
- 2-12 pole solid block
- Professional rising clamp terminals
- Moulded in green UL94-V0 flame retardant PA66
- Cable acceptance - 0.8 to 2mm² (28-14AWG) solid and stranded cable
- Pluggable male and female connectors
- Screw flanges
- Horizontal female plug styles
- Polarised mouldings
- Anti solder wicking
- Captive screws and guided pin alignment
- , approved

SPECIFICATION	
Rating	20A/450V UL=15A/300V, VDE and IMQ=20A/450V
Dielectric strength	0.5kV
Impulse withstand voltage	2kV
Working temperature	-40°C to 105°C
Moulding	UL94-V0 flame retardant PA66
Pin/terminal	Copper alloy, NI and SN
Rising clamp	Copper alloy, NI and SN
Screw/torque	M3 steel zinc plated, 0.5Nm
Recommended PCB hole size	ø1.7mm

Female connector

PART NO.	POLES	LENGTH
CTBP9208/2FL	2	20.3mm
CTBP9208/3FL	3	25.4mm
CTBP9208/4FL	4	30.5mm
CTBP9208/5FL	5	35.6mm
CTBP9208/6FL	6	40.7mm
CTBP9208/7FL	7	45.7mm
CTBP9208/8FL	8	50.8mm
CTBP9208/9FL	9	55.9mm
CTBP9208/10FL	10	60.0mm
CTBP9208/11FL	11	66.1mm
CTBP9208/12FL	12	71.1mm

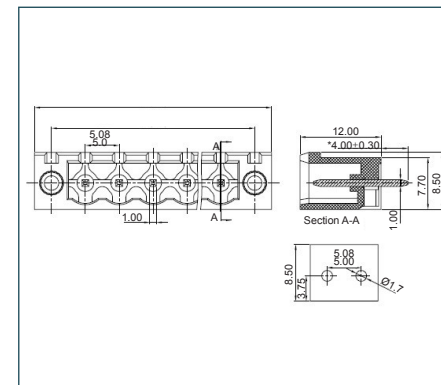
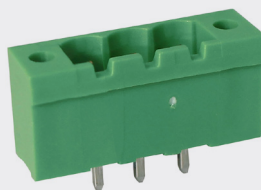
CTBP9208 FL



Female vertical connector (standard)

PART NO.	POLES	LENGTH
CTBP9308/2FL	2	20.3mm
CTBP9308/3FL	3	25.4mm
CTBP9308/4FL	4	30.5mm
CTBP9308/5FL	5	35.6mm
CTBP9308/6FL	6	40.7mm
CTBP9308/7FL	7	45.7mm
CTBP9308/8FL	8	50.8mm
CTBP9308/9FL	9	55.9mm
CTBP9308/10FL	10	61.0mm
CTBP9308/11FL	11	66.1mm
CTBP9308/12FL	12	71.1mm

CTBP9308 FL



Female vertical connector (reversed)

PART NO.	POLES	LENGTH
CTBP9358/2FL	2	20.3mm
CTBP9358/3FL	3	25.4mm
CTBP9358/4FL	4	30.5mm
CTBP9358/5FL	5	35.6mm
CTBP9358/6FL	6	40.7mm
CTBP9358/7FL	7	45.7mm
CTBP9358/8FL	8	50.8mm
CTBP9358/9FL	9	55.9mm
CTBP9358/10FL	10	61.0mm
CTBP9358/11FL	11	66.1mm
CTBP9358/12FL	12	71.1mm

CTBP9358 FL

