



002

PCB TERMINAL
BLOCKS

081

TERMINAL STRIPS

095

WIRE TO BOARD
CONNECTORS

100

CIRCULAR
CONNECTORS

151


IP68 CONNECTORS

158

INTERFACE
MODULES AND
RELAY BASES

10mm pitch standard profile rising clamp terminal blocks

Product overview

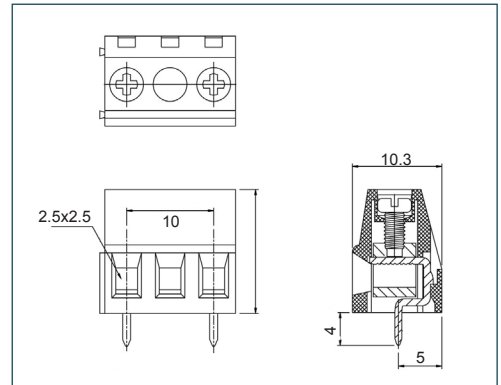
- 2 to 12 pole interlocking
- Professional rising clamp terminals
- Standard profile
- Moulded in green UL94-V0 flame retardant PA66
- Cable acceptance - 0.33-3.31mm² (22-12 AWG)
- Guided pin alignment
-  approved

CTB0202



SPECIFICATION	
Rating	10A 300V
Insulation resistance	5000M Ω /1000V
Withstand voltage	AC1500V/1min
Contact resistance	20m Ω
Working temperature	-33°C to +120°C
Moulding	UL94-V0 flame retardant PA66
Pin/terminal	Tin plated brass
Wire clamp	Nickel plated brass
Screw/torque	M2.5 steel, nickel plated 0.4Nm
Recommended PCB hole size	ϕ 1.5mm

PART NO.	POLES	LENGTH
CTB0202/2	2	15.2mm
CTB0202/3	3	25mm
CTB0202/4	4	35mm
CTB0202/5	5	45mm
CTB0202/6	6	55mm
CTB0202/7	7	75mm
CTB0202/8	8	85mm
CTB0202/9	9	95mm
CTB0202/10	10	105mm
CTB0202/11	11	115mm
CTB0202/12	12	125mm



KEY FEATURES

2-12 pole interlocking | Double interlock mechanism | Professional rising clamp

