



002

PCB TERMINAL  
BLOCKS

081

TERMINAL STRIPS

095

WIRE TO BOARD  
CONNECTORS

100

CIRCULAR  
CONNECTORS

151



IP68 CONNECTORS

158

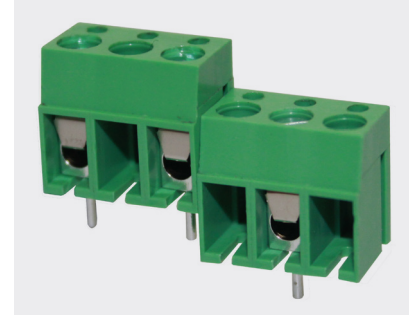
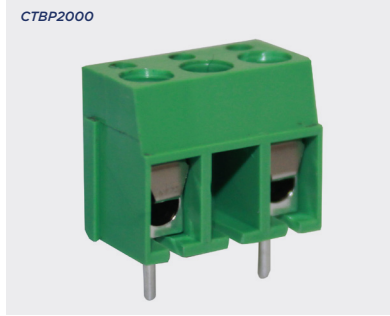
INTERFACE  
MODULES AND  
RELAY BASES

# 10mm pitch standard profile terminal blocks

## Product overview

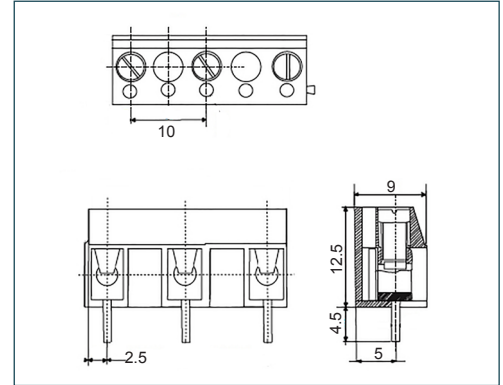
- 2 to 12 pole interlocking
- Wire protector terminals
- Standard profile
- Moulded in green UL94-V0 PA66
- Cable acceptance - 0.4-1.3mm<sup>2</sup> (26-16 AWG)
- Guided pin alignment
-   approved

CTBP2000



SPECIFICATION	
Rating	16A 250V
Dielectric strength	5000M Ω/1000V
Insulation resistance	AC1500V/1min
Working temperature	20m Ω
Moulding	-33°C to +120°C
Pin/terminal	UL94-V0 flame retardant PA66
Wire clamp	Stainless steel
Screw/torque	M3 steel, nickel plated 0.4Nm
Recommended PCB hole size	ø1.1mm

PART NO.	POLES	LENGTH
CTBP2000/2	2	15mm
CTBP2000/3	3	25mm
CTBP2000/4	4	35mm
CTBP2000/5	5	45mm
CTBP2000/6	6	55mm
CTBP2000/7	7	65mm
CTBP2000/8	8	75mm
CTBP2000/9	9	85mm
CTBP2000/10	10	95mm
CTBP2000/11	11	105mm
CTBP2000/12	12	115mm



## KEY FEATURES

Green UL94-V0 moulding | Interlock mechanism | Wire protector terminals

