



002

PCB TERMINAL
BLOCKS

081

TERMINAL STRIPS

095

WIRE TO BOARD
CONNECTORS

100

CIRCULAR
CONNECTORS

151

IP68 CONNECTORS

158

INTERFACE
MODULES AND
RELAY BASES

7.62mm pitch pluggable rising clamp terminal blocks

Product overview

- 2-12 pole solid block
- Professional rising clamp terminals
- Moulded in green UL94-V0 flame retardant PA66
- Cable acceptance - 0.32 to 1.6mm² (28-14AWG) solid and stranded cable
- Pluggable male and female connectors
- Open and closed headers
- Horizontal female plug style
- Polarised mouldings
- Anti solder wicking
- Captive screws and guided pin alignment
- approved

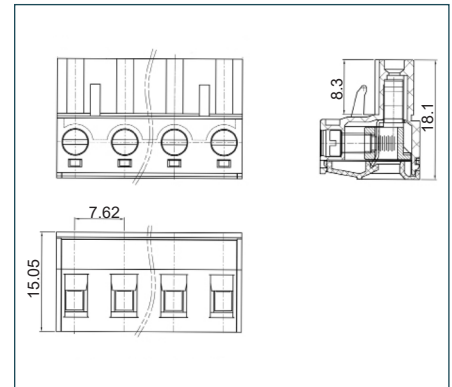
SPECIFICATION

Rating	UL=15A/300V, VDE=20A/450V
Insulation resistance	500M Ω /500V
Withstand voltage	AC2000V/1min
Contact resistance	20m Ω (max)
Working temperature	-40°C to +105°C
Moulding	UL94-V0 flame retardant PA66
Pin/terminal	Tin plated brass
Rising clamp	Brass, nickel plated
Screw/torque	M3 steel, zinc plated 0.5Nm
Recommended PCB hole size	ϕ 1.7mm

Female connector

PART NO.	POLES	LENGTH
CTBP9408/2	2	13.2mm
CTBP9408/3	3	20.9mm
CTBP9408/4	4	28.5mm
CTBP9408/5	5	36.1mm
CTBP9408/6	6	43.7mm
CTBP9408/7	7	51.3mm
CTBP9408/8	8	59mm
CTBP9408/9	9	66.6mm
CTBP9408/10	10	74.2mm
CTBP9408/11	11	81.8mm
CTBP9408/12	12	89.4mm

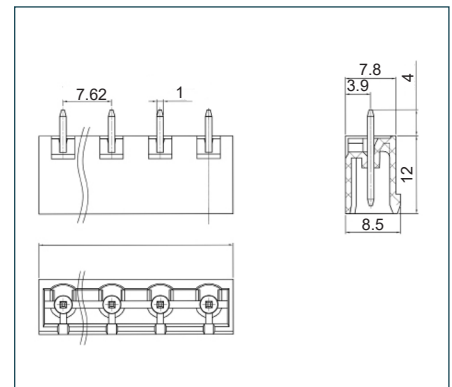
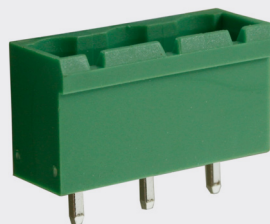
CTBP9408



PCB mounting male vertical connector (closed ended)

PART NO.	POLES	LENGTH
CTBP9508/2	2	15.2mm
CTBP9508/3	3	22.8mm
CTBP9508/4	4	30.4mm
CTBP9508/5	5	38.1mm
CTBP9508/6	6	45.7mm
CTBP9508/7	7	53.3mm
CTBP9508/8	8	60.9mm
CTBP9508/9	9	68.6mm
CTBP9508/10	10	76.2mm
CTBP9508/11	11	83.8mm
CTBP9508/12	12	91.4mm

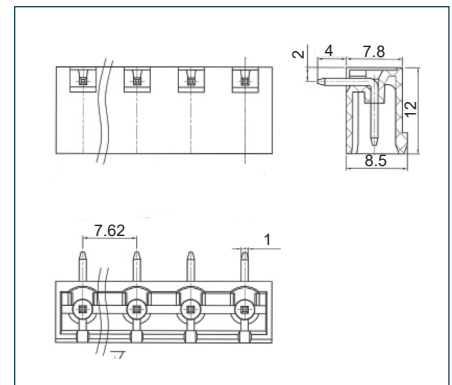
CTBP9508



PCB mounting male horizontal connector (closed ended)

PART NO.	POLES	LENGTH
CTBP9558/2	2	15.2mm
CTBP9558/3	3	22.8mm
CTBP9558/4	4	30.4mm
CTBP9558/5	5	38.1mm
CTBP9558/6	6	45.7mm
CTBP9558/7	7	53.3mm
CTBP9558/8	8	60.2mm
CTBP9558/9	9	68.5mm
CTBP9558/10	10	76.2mm
CTBP9558/11	11	83.8mm
CTBP9558/12	12	91.4mm

CTBP9558





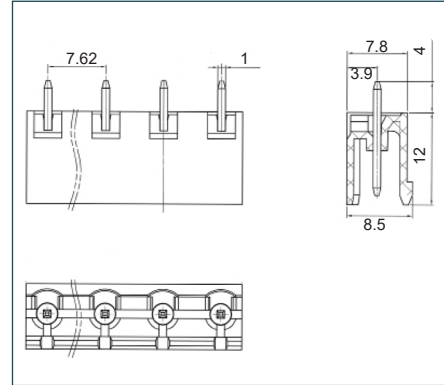
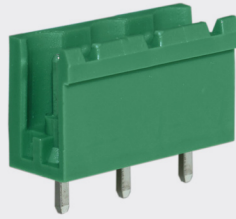
002

PCB TERMINAL
BLOCKS

PCB mounting male vertical connector (open ended)

PART NO.	POLES	LENGTH
CTBP9508/2AO	2	13.2mm
CTBP9508/3AO	3	20.9mm
CTBP9508/4AO	4	28.5mm
CTBP9508/5AO	5	36.1mm
CTBP9508/6AO	6	43.7mm
CTBP9508/7AO	7	51.3mm
CTBP9508/8AO	8	59mm
CTBP9508/9AO	9	66.6mm
CTBP9508/10AO	10	74.2mm
CTBP9508/11AO	11	81.8mm
CTBP9508/12AO	12	89.4mm

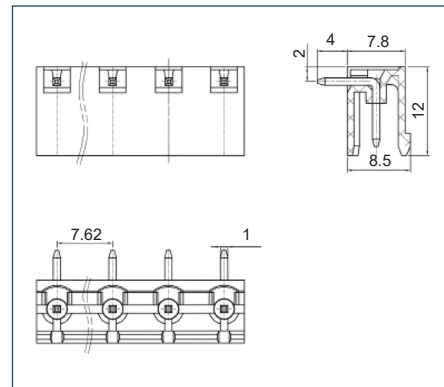
CTBP9508 AO



PCB mounting male horizontal connector (open ended)

PART NO.	POLES	LENGTH
CTBP9558/2AO	2	13.2mm
CTBP9558/3AO	3	20.9mm
CTBP9558/4AO	4	28.5mm
CTBP9558/5AO	5	36.1mm
CTBP9558/6AO	6	43.7mm
CTBP9558/7AO	7	51.3mm
CTBP9558/8AO	8	59mm
CTBP9558/9AO	9	66.6mm
CTBP9558/10AO	10	74.2mm
CTBP9558/11AO	11	81.8mm
CTBP9558/12AO	12	89.4mm

CTBP9558 AO



081

TERMINAL STRIPS

095

WIRE TO BOARD
CONNECTORS

100

CIRCULAR
CONNECTORS

151

IP68 CONNECTORS

158

INTERFACE
MODULES AND
RELAY BASES